



भारत सरकार Government of India
रेल मंत्रालय Ministry of Railways
(रेलवे बोर्ड Railway Board)



No.2022/CEDO/SD/1RSOD-2022/O/ACS_d

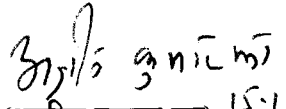
New Delhi, Dated 15.01.2024

Addressed to:
(As per list mentioned below)

**Sub: Addendum and Corrigendum Slip(ACS) No.04 to Indian Railways
Schedule of Dimension (BG), Revised- 2022**

The Ministry of Railways (Railway Board) have decided that the New Paras: 2(D), Para 5, Para 6, Para 7, Para 8, Para 9, Para 10, Para 11, Para 12 and Para 13 of **Chapter VB – 25 kV A.C. Electric Traction with High Rise OHE of Schedule-I** of Indian Railways Schedule of Dimensions 1676 mm Gauge (BG) Revised, 2022 be added as shown in the enclosed Addendum & Corrigendum Slip (ACS) No. 04.

Enclosure: ACS No. 04(Annexure-1)


(अजीत कुमार झा) 15.1.24

कार्यपालक निदेशक/ सिविल इंजी. (जी)/ रेलवे बोर्ड
[Phone: 030-44803; Rly: 011-23383379; MTNL]
e-mail address :edceg2022@gmail.com

List of Distribution: (No.2022/CEDO/SD/IRSOD-2022/O/ACS_d, Dated 15.01.2024)

1. General Managers, All Indian Railways & Production Units
2. Principal Chief Engineers and Chief Administrative Officers (Con.), All Indian Railways
3. Director General, RDSO, Manak Nagar, Lucknow
4. Director General, NAIR, Vadodara
5. Chief Commissioner of Railway Safety, Ashok Marg, Lucknow
6. Commissioner of Railway Safety, All Circles
7. Director, IRICEN, Rail Path, Pune - 411001 (Maharashtra)
8. Director, IRIEEN, P.B. No. 233, Nasik Road - 422101 (Maharashtra)
9. Director, IRISSET, Taar Naka Road, Lalla Guda, Secunderabad
10. Director, IRIMEE, Jamalpur - 811214 (Bihar)
11. Director, IRITM, IRITM Campus, Manak Nagar, Lucknow

Copy to:

1. Concurred PSO for kind information Of Chairman cum CEO, M/Infra, M/T&RS, M(O&BD), M/Finance, Railway Board
2. Adv./MR, EDPG/MR.OSD/MR.OSR(Co-ord)/MR
3. Chief Vigilance Officers, All Indian Railways.
4. DG(RHS), DG(RPF), AM(CE), AM(Works), AM(B), AM(Elec.), AM(RS), AM(ME), AM/Tele, AM/C&IS, AM/Sig., AM(Plg.), AM/L&A, PED(B&S), PED(Vigilance), PEDCE(P), PED(Infra), EDCE(G), PEDTk(M&Mc), EDF(X)-I, EDF(X)-II, ED(Works), EDW(Plg.), ED/Project(Mon.), ED(L&A), ED(PSU), EDVE, PED(Safety), ED (Sig. Dev.), ED(Tele), EDRS(G), ED/GS(Elect.), EDEE(G), EDFE, EDE(N), ED(Accounts), ED/T&MPP, EDME(Chg.), EDME(Frt.), ED/Plg., JS(Conf.), JS(P), JS(G), JS(D), Vigilance-111, Vig(Conf) of Railway Board.

3/1/24
15.1.24

Addendum and Corrigendum Slip No.4

to

**Indian Railways Schedule of Dimensions (BG) -Revised, 2022- Chapter-V-B-25 kv
A.C. Electric Traction with High Rise OHE**

New paras: 2(D), para 5, para 6, para 7, para 8, para 9, para 10, para 11, para 12 and para 13 of Chapter VB – 25 kV A.C. Electric Traction with High Rise OHE [at pages 39 & 41 of IRSOD(BG) -Revised, 2022] shall be read as under:

2. (D) Tunnels and Through Girder Bridges 8040mm

Maximum Moving Dimensions (See diagram 5):

5. Maximum width over all projections:

- | | |
|---|---------------------------------------|
| (i) At 91mm above rail level, when fully loaded | 2440mm |
| (ii) At 305mm above rail level, when fully loaded | 3050mm |
| (iii) From 305mm above rail level, to 940mm above rail level, when fully loaded | 3050mm |
| (iv) From 940mm above rail level, to 1082mm above rail level, when fully loaded | 3050mm increasing gradually to 3150mm |
| (v) From 1082mm above rail level, to 1170mm above rail level, when fully loaded | 3150mm increasing gradually to 3250mm |

Note: For freight bogie vehicles with maximum length of body or roof upto 14500 mm and bogie centre distance upto 10000 mm, maximum width overall projections from 305 mm above rail level to 1060 mm above rail level, when fully loaded, can be relaxed to 3135 mm instead of 3050 mm.

- | | |
|---|--------|
| (vi) From 1170mm above rail level, when fully loaded to a height of 3735mm above rail level, when empty | 3250mm |
|---|--------|

Note:

- Guttering, side lamps and destination boards may project 76 mm on each side beyond the dimensions given above from a height of 2895 mm to 3355 mm above rail level, upto a maximum over all width of 3402 mm.
- Coach number plates may project 25mm on each side beyond the dimension given above from a height of 2590 mm to 2895mm above rail level, upto a maximum over all width of 3300mm.

31/1/24 g n i c m i
15-1-24

- c) Reservation card holders may project 25mm on each side beyond the dimensions given above from a height of 1750 mm to 1980 mm above rail level upto a maximum over all width of 3300 mm.
- d) The doors are to be either sliding or opening inwards. Hand bolts, door locks, handles and window bars shall not, however, project beyond the dimensions given against item above
- | | |
|---|---|
| (vii) From 3735mm above rail level, to a height of 3841mm above rail level, when empty | 3250mm — decreasing gradually to 2600mm |
| (viii) From 3841mm above rail level, to a height of 6827mm above rail level when empty | 2600mm |
| 6. Maximum width over open doors, including all projections for passenger vehicles | 4040mm |
| 7. Maximum width over open doors, including all projections for goods vehicles | 4265mm |
| 8. Maximum height above rail level for a width of 1300mm on either side of the centre of unloaded vehicle | 6827mm |
| 9. Maximum height above rail level at sides of empty vehicles | 3735mm |

Building and Structures (See diagram 5B):

10. Minimum horizontal distance from centre of track to any structure from rail level to 305mm above rail level
- | | |
|---|--------|
| (i) For existing works | 1675mm |
| (ii) For new works or alterations to existing works | 1905mm |

Note:

- a) Any material stacked by the side of line is to be considered a structure in the sense in which the word is used here. These items also apply to projections of rock etc., from the side of cutting.
- b) See appendix for extra clearance required on curves

11. Minimum horizontal distance from centre of track to any structure except a platform
- | | |
|--|-----------------------------|
| (i) For existing works | |
| From 305mm above rail level to 4420mm above rail level | 2135mm |
| (ii) For new works or alterations to existing works | |
| (a) From 305mm above rail level to 1065mm | 1905mm increasing to 2360mm |

*3, 1/2 3000 mm
15.1.24*

- (b) From 1065mm above rail level to 3355mm 2360mm
- (c) From 3355mm above rail level to 4420mm 2360mm decreasing to 2135mm
- (d) From 4420mm above rail level to 7190mm 2135mm
- (e) From 7190mm above rail level to 7870mm 2135mm decreasing to 1600mm
- (f) From 7870mm above rail level to 8250mm 1600mm

Note:

- (a) Any material stacked by the side of line is to be considered a structure in the sense in which the word is used here. These items also apply to projections of rock etc., from the side of cutting.
- (b) See appendix for extra clearance required on curves.

Tunnels, Through Girder Bridges and Semi-Through Girder Bridges (See diagram 5A):

12. Minimum distance at centre to centre of straight tracks

- (i) For existing lines 4495mm
- (ii) For new works or alterations to existing works 4725mm

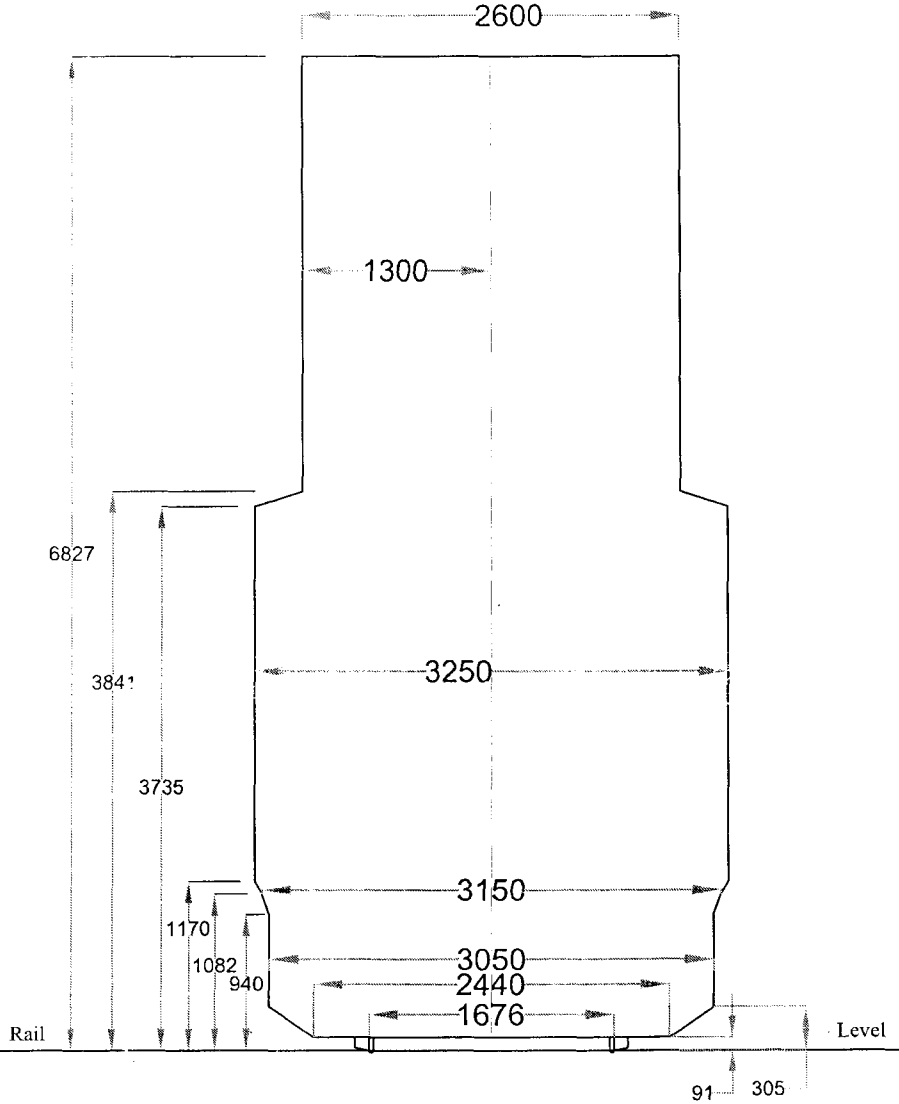
13. Minimum horizontal distance from centre of track to any structure shall be as follows:

	Height above rail level	Horizontal distance from centre of track
(a)	From 0.0mm to 305mm	1905mm
(b)	From 305mm to 1065mm	1905mm increasing to 2360mm
(c)	From 1065mm to 3355mm	2360mm
(d)	From 3355mm to 4420mm	2360mm decreasing to 2135mm
(e)	From 4420mm to 7190mm	2135mm
(g)	From 7190mm to 8040mm	2135mm decreasing to 1600mm

37/1/15 5mm to 15.1.24

DIAGRAM NO. 5
1676mm GAUGE

MAXIMUM MOVING DIMENSIONS FOR HIGH RISE OHE



*2015
5 m 11 m
15.1.24*

NOTE :-
ALL DIMENSIONS ARE IN MILIMETRES EXCEPT WHERE OTHERWISE SHOWN.

STANDARD DIMENSIONS FOR TUNNELS & THROUGH GIRDER BRIDGES

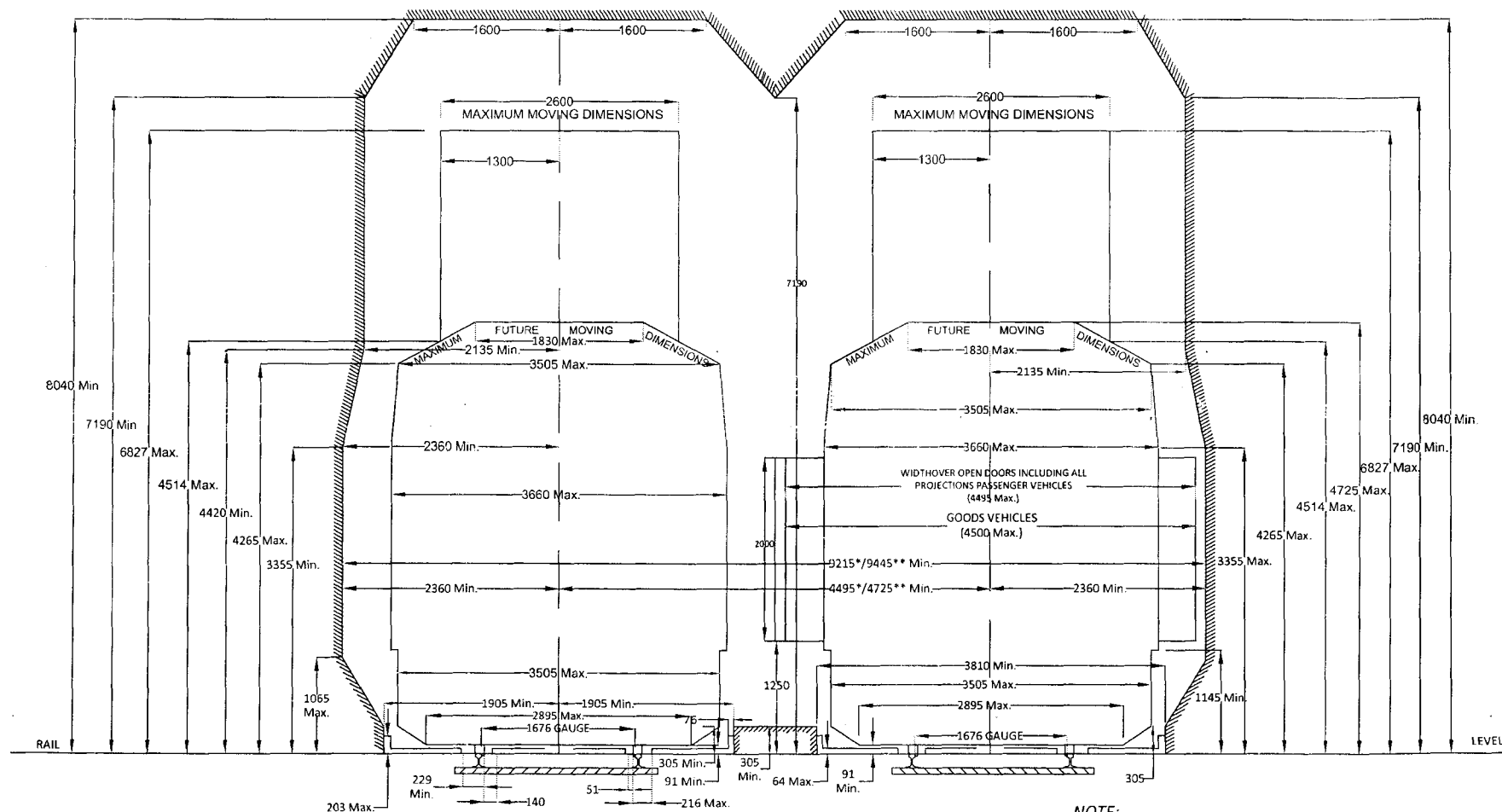
TO SUIT 25 k.V. A.C. TRACTION

SCHEDULE I - CHAPTER V (B)

(HIGH RISE OHE)

DIAGRAM No. 5 A
1676 mm GAUGE

NOTE:- THE DISTANCES SPECIFIED APPLY ONLY IN CASE OF STRAIGHT TRACKS. ON CURVES, THE HORIZONTAL DISTANCE SHOULD BE INCREASED BY AN AMOUNT 'D' TO ALLOW FOR THE LEAN DUE TO SUPER-ELEVATION CALCULATED BY THE FOLLOWING FORMULA, WHERE 'H' IS THE HEIGHT OF THE CONTACT WIRE, 'S' THE SUPER-ELEVATION AND 'G' THE GAUGE OF THE TRACK, ALL DIMENSIONS BEING IN METRES $D = H \times S / G$



NOTE:- ALL DIMENSIONS ARE IN MILLIMETRES EXCEPT WHERE OTHERWISE SHOWN.

NOTE:-

- * - For existing works
- ** - For new works or alteration to existing works

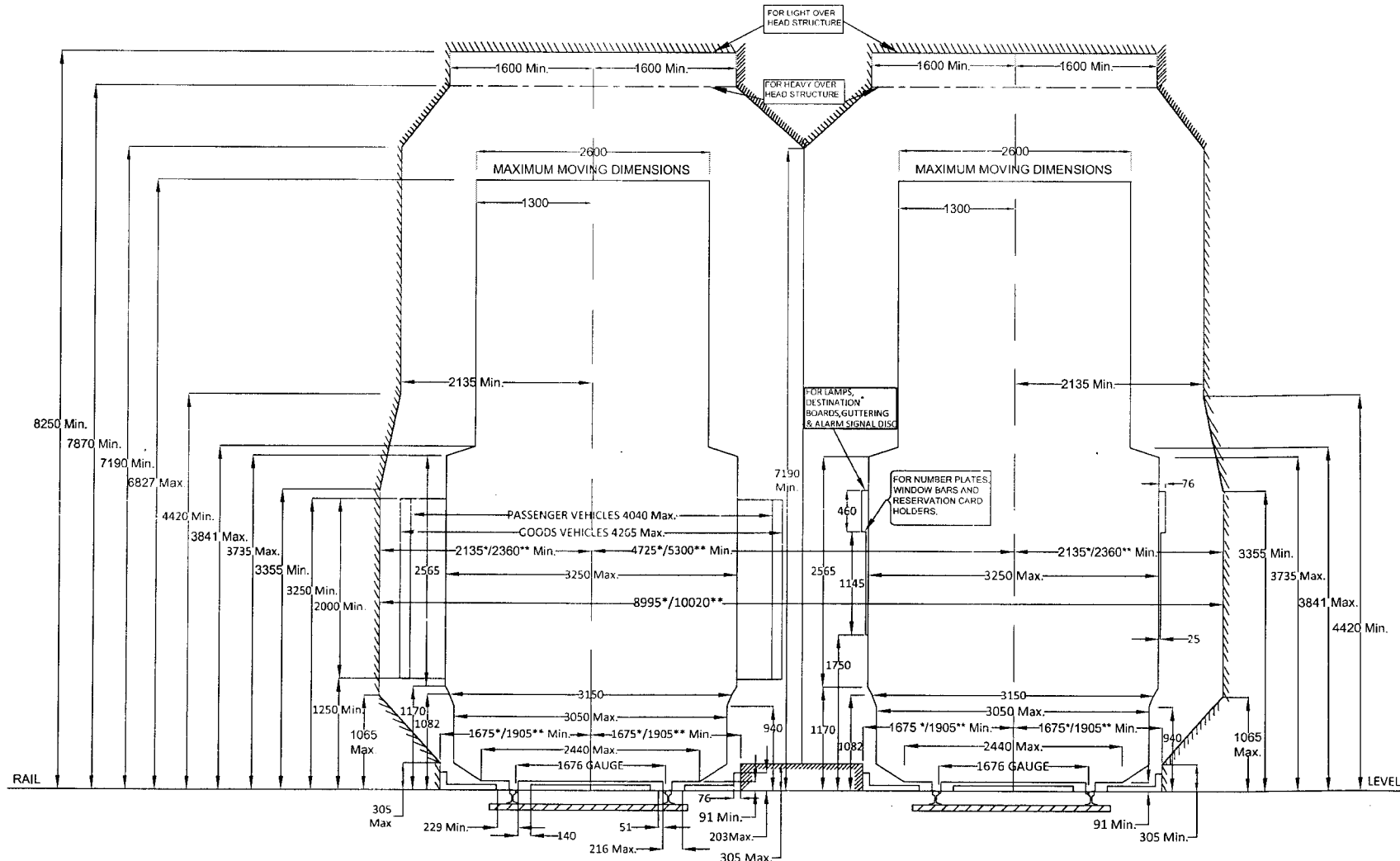
Rail to rail
15.1.24

STANDARD DIMENSIONS OUT OF STATIONS

TO SUIT 25 kV. A.C. TRACTION
 SCHEDULE I - CHAPTER V (B)
 (HIGH RISE OHE)

DIAGRAM No. 5 B
 1676 mm GAUGE

NOTE:- THE DISTANCES SPECIFIED, APPLY ONLY IN CASE OF STRAIGHT TRACK. ON CURVES, THE HORIZONTAL DISTANCE SHOULD BE INCREASED BY AN AMOUNT 'D' TO ALLOW FOR THE LEAN DUE TO SUPER-ELEVATION CALCULATED BY THE FOLLOWING FORMULA, WHERE 'H' IS THE HEIGHT OF THE CONTACT WIRE, 'S' THE SUPERELEVATION AND 'G' THE GAUGE OF THE TRACK, ALL DIMENSIONS BEING IN METRES $D = \frac{H \times S}{G}$



37115 mm
 15.1.24

NOTE:- ALL DIMENSIONS ARE IN MILLIMETRES EXCEPT WHERE OTHERWISE SHOWN.

NOTE:-

- * - For existing works
- ** - For new works or alteration to existing works

