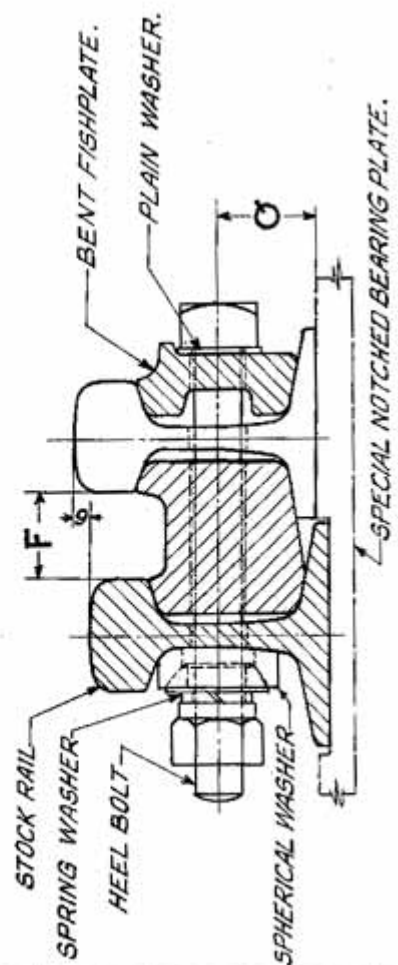


ENLARGED PLAN OF L.H. HEEL.



SECTION ON X-X.
(AT HEEL)

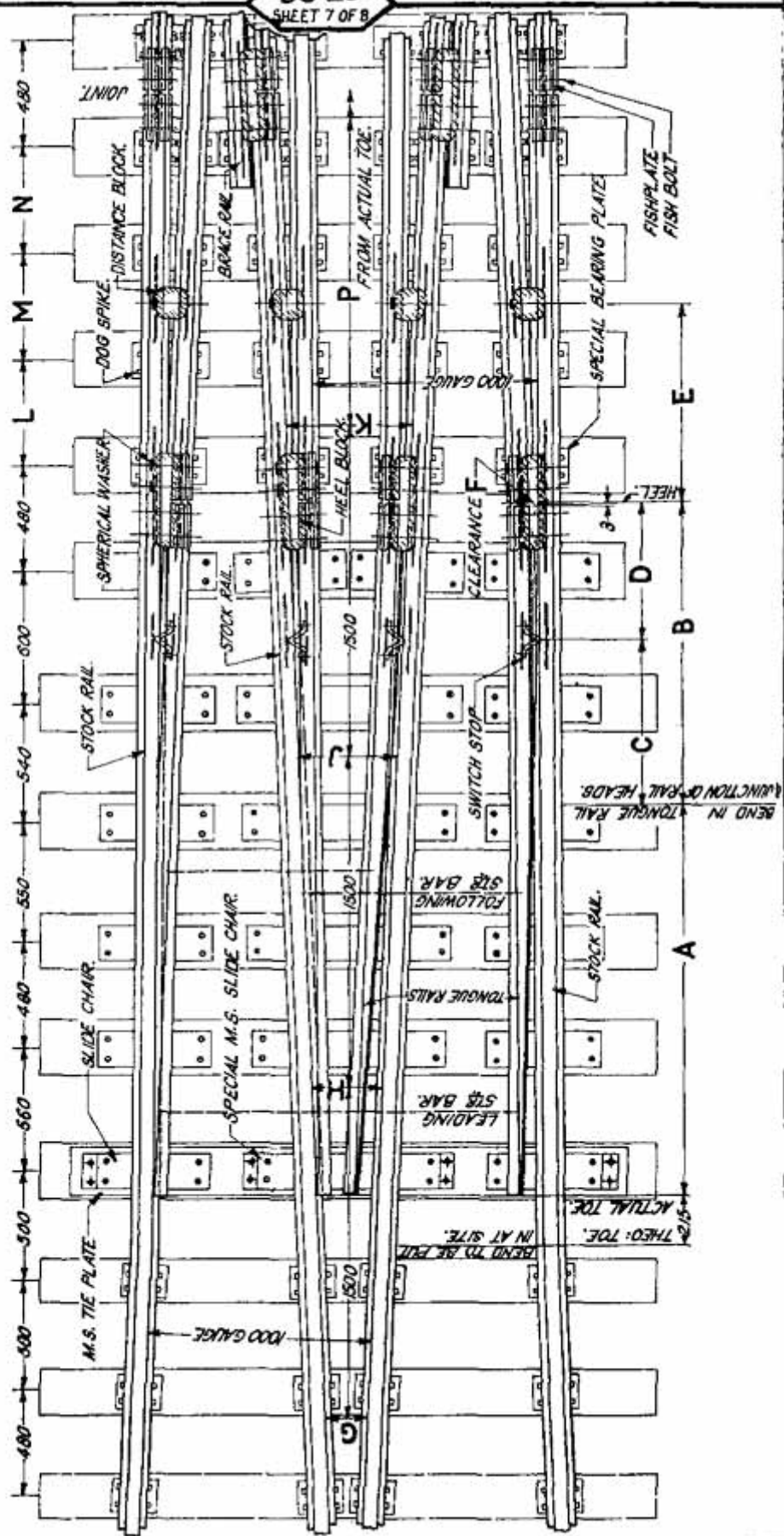
SWITCH ANGLE.....1°-47'-24"
DIVERGENCE AT HEEL
OF SWITCH.....105
THROW AT TOE
OF SWITCH.....100

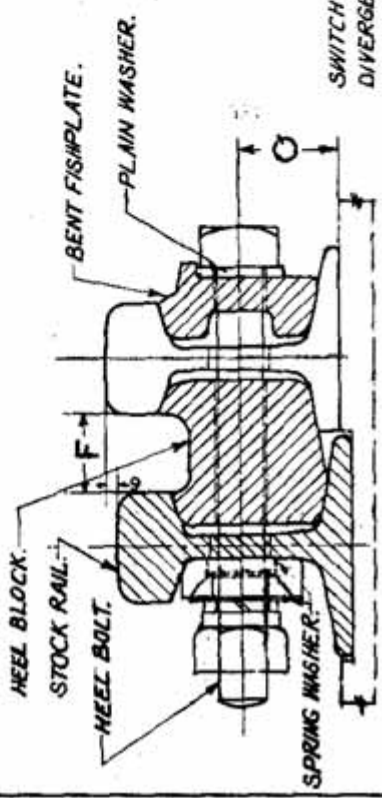
TABLE OF DIMENSIONS.

		DIMENSIONS (mm)														
RAIL ASSEMBLY SECTION	DRG-NR	A	B	C	D	E	F	G	H	J	K	L	M	N	P	Q
75 R.	TA 20490	1767	1378	758	620	900	43.1	189	314	438.5	563.5	480	480	480	5181	54

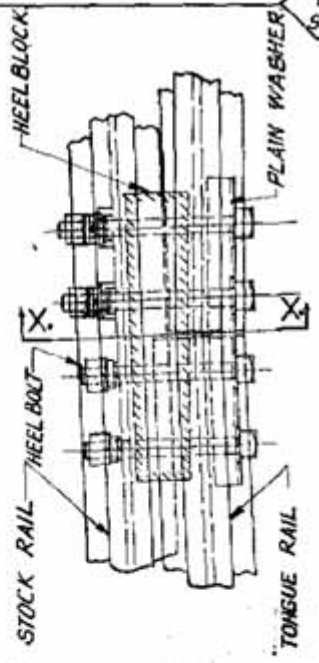
**TYPICAL INTERMEDIATE PORTION FOR 1 IN 12 MOVABLE SWITCH DIAMONDS
WITH DOUBLE SLIPS M.G.**

DS 29
SHEET 7 OF 8





SECTION ON X.X.
(AT HEEL)



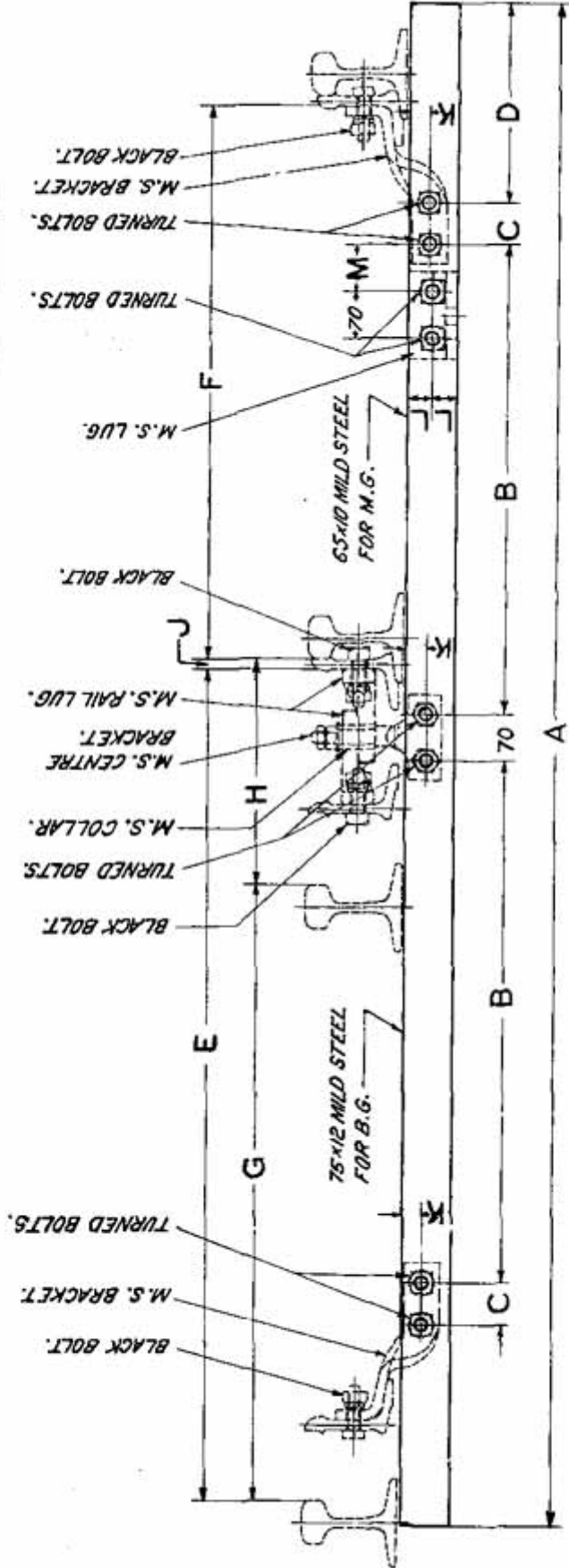
ENLARGED PLAN OF L.H. HEEL.

SWITCH ANGLE.....1-47-24°
 DIVERGENCE AT HEEL
 OF SWITCH.....105
 THROW AT TOE
 OF SWITCH.....100

TABLE OF DIMENSIONS.

RAIL ASSEMBLY SECTION DRAWING NO	DIMENSIONS (in mm)														
	A	B	C	D	E	F	G	H	J	K	L	M	N	P	Q
75R. TA 20481	1767	1378	758	620	900	431	189	3/4	438.5	563.5	480	480	480	5181	54

TYPICAL LEADING STRETCHER BAR FOR DOUBLE SLIPS

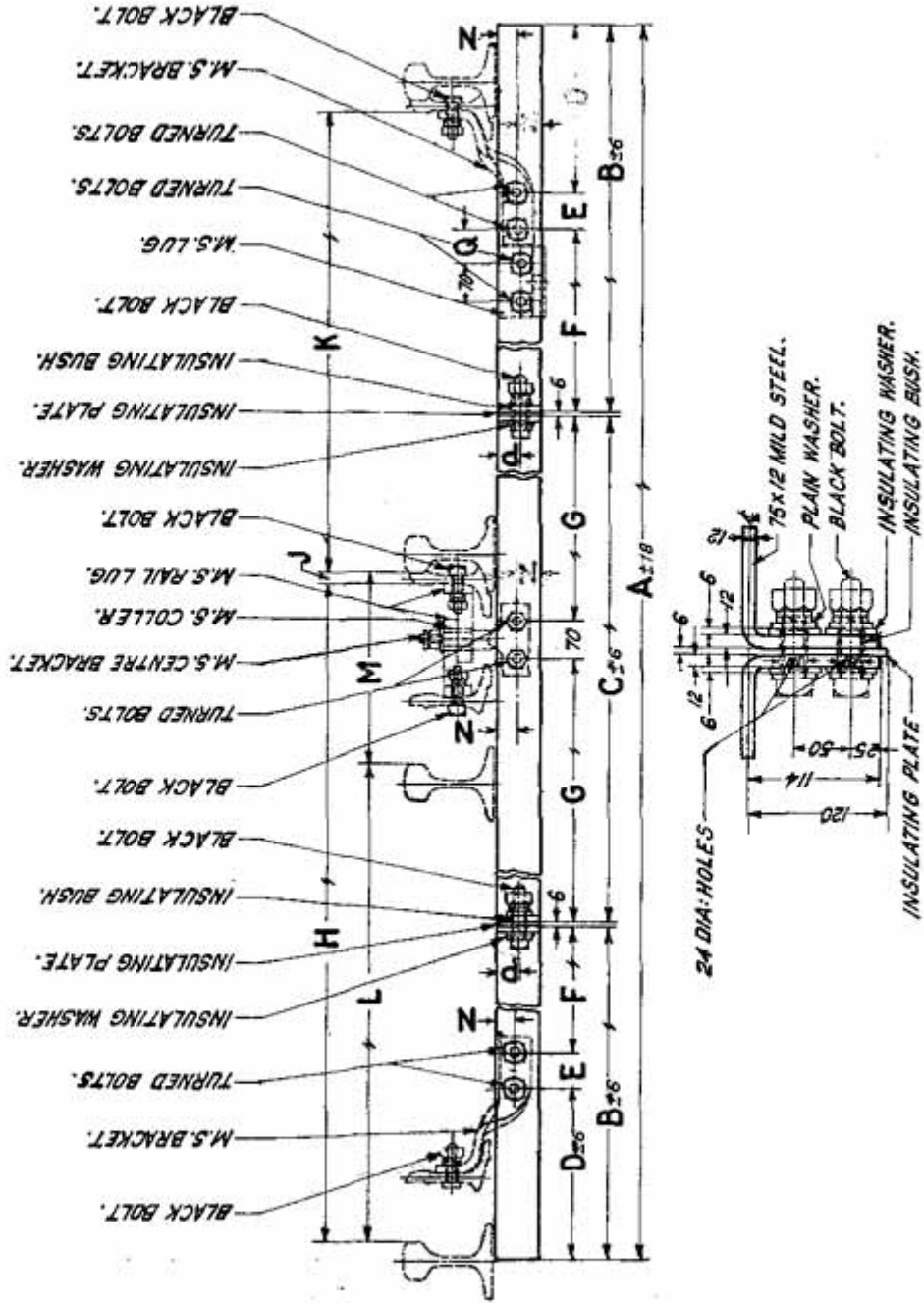


NOTE:-
ALL HOLES ARE 18mm DIA.

PART NUMBERS & MAIN DIMENSIONS

GAUGE	FOR CROSSING	RAIL SECTION	PART NUMBER	D I M E N S I O N S (mm)												
				A	B	C	D	E	F	G	H	J	K	L	M	
B.G.	1 IN 8½	UIC 60Kg	T 10736	3140±12	1166	65	300±6	1679	1273.5	1277	405.5	37.5	37.5	65		
			T 10579	3230±12	1213	65	300±6	1679	1338	1353	341	15	29	37.5	65	
			T 10388	3230±12	1214	65	300±6	1678	1342	1357	336	15	29	37.5	65	
M.G.	1 IN 12	52Kg	T 10610	3230±12	1209	65	306	1677	1347	1360	330	13	34	37.5	65	
			T 10664	3230±12	1210	65	305±5	1677	1346.5	1359.5	330.5	13	29	37.5	65	
M.G.	1 IN 8½	60R.	T 10581	1850±12	601	55	234±6	1001.5	686	703.5	316.5	18.5	26	32.5	60	
			T 10651	1890±12	606.5	55	248±6	1001	697	715.5	304	18.5	24	32.5	60	

TYPICAL LEADING INSULATED STRETCHER BAR FOR DOUBLE SLIPS



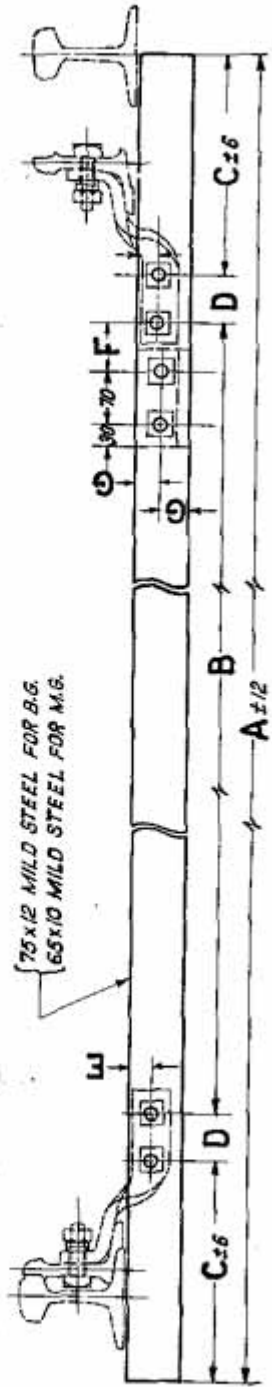
DETAIL OF SPLICE JOINT.

NOTE:-
ALL HOLES ARE 18mm DIA. EXCEPT WHERE OTHERWISE SPECIFIED.

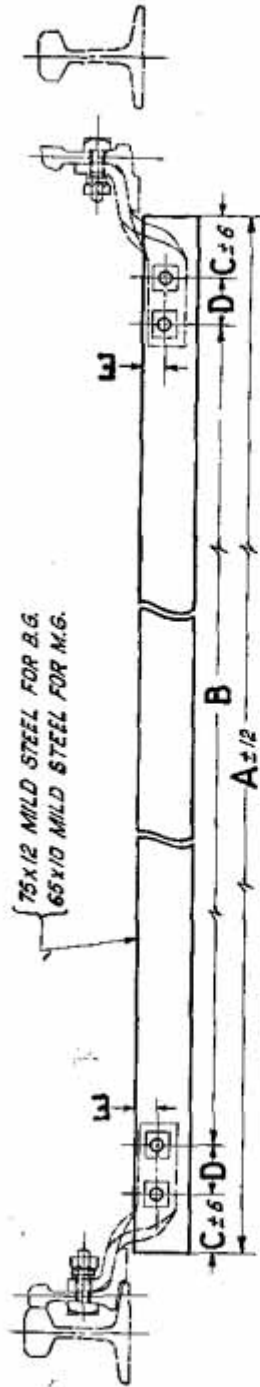
PART NUMBERS & MAIN DIMENSIONS.

RAIL SECTION	PART NUMBER		FOR CROSSING	GAUGE	DIMENSIONS <small>(IN MM)</small>														
	LEFT	CENTRE			RIGHT	A	B	C	D	E	F	G	H	J	K	L	M	N	P
52 Kg	T10744	T10745	T10746	B.G.	3232	1000	1200	310	65	625	576	1679	15	1338	1353	341	34	37.5	65
90R.	T10758	T10759	T10760	B.G.	3232	1000	1220	300	65	635	572	1679	15	1338	1353	341	29	37.5	65

**TYPICAL LEADING & FOLLOWING
STRETCHER BARS**
(ORDINARY)



LEADING



FOLLOWING

NOTE:- ALL HOLES IN STRETCHER BAR ARE 18 mm DIA:

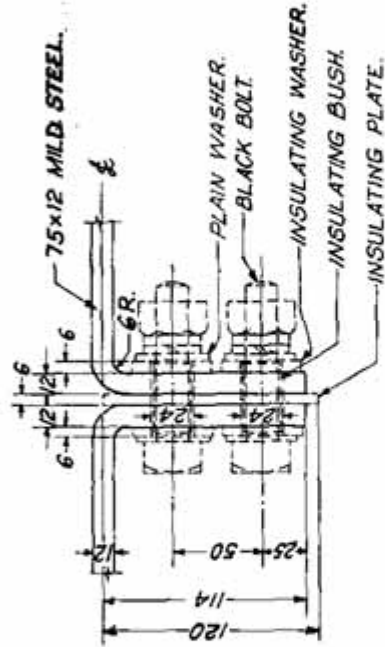
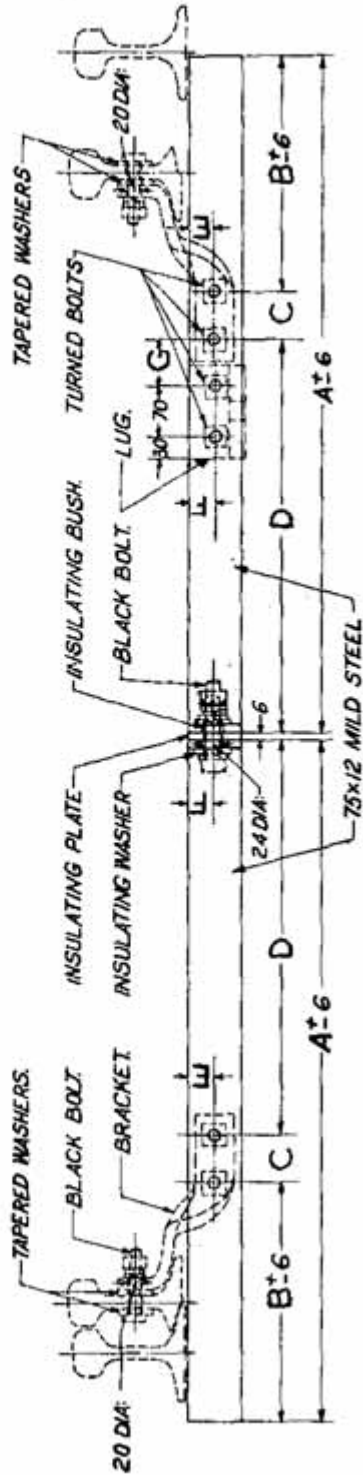
NOTE: THESE STRETCHER BARS ARE EXCLUSIVELY DESIGNED FOR DOUBLE SLIPS

PART NUMBERS & MAIN DIMENSIONS.

GAUGE	CROSSING	RAIL SECTION	SLIPS	ASSEMBLY DRAWING NO	LEADING STRETCHER BARS <small>(700, 800)</small>							FOLLOWING STRETCHER BARS <small>(700, 800)</small>									
					A	B	C	D	E	F	G	A	B	C	D	E					
B.G.	1 IN 8 1/2	UIC 60Kg	DS	TA 20265	RS307-3045	1870	1122-5	310	65	36	65	37-5	RS307-3046	1870	1144-5	300	65	36			
					T 10737	1445	1173	71	65	37-5	T 10737	1445	1173	71	65	37-5					
					RS307F-3045	1870	1122-5	310	65	36	RS307F-3045	1870	1122-5	310	65	36					
					T 10737	1445	1173	71	65	37-5	T 10737	1445	1173	71	65	37-5					
					T 10738	1445	1150	82-5	65	37-5	T 10738	1445	1150	82-5	65	37-5					
					T 10739	1445	1174	70-5	65	37-5	T 10739	1445	1174	70-5	65	37-5					
		90R.	52 Kg	DS	TA 20219	T 10749	FOR DIMENSIONS REFER PAGE DS 30 SHEETS 7 & 8 OF 9							T 10749	FOR DIMENSIONS REFER PAGE DS 30 SHEETS 7 & 8 OF 9						
						T 10310	1650	1140	290	65	29	65	37-5	T 10310	1650	1163	63-5	65	29		
						T 10311	1650	1140	290	65	29	65	37-5	T 10311	1650	1163	63-5	65	29		
						T 10312	1650	1140	290	65	29	65	37-5	T 10312	1650	1166	61	65	29		
						T 10313	1650	1140	290	65	29	65	37-5	T 10313	1650	1166	61	65	29		
						T 10314	1650	1140	290	65	29	65	37-5	T 10314	1650	1166	61	65	29		
M.G.	1 IN 12	90R.	DS	TA 20237	T 10310	1850	1140	290	65	29	65	37-5	T 10310	1420	1163	63-5	65	29			
					T 10311	1850	1140	290	65	29	65	37-5	T 10311	1420	1163	63-5	65	29			
					T 10312	1850	1140	290	65	29	65	37-5	T 10312	1420	1166	62	65	29			
					T 10313	1850	1140	290	65	29	65	37-5	T 10313	1420	1166	62	65	29			
					T 10314	1850	1140	290	65	29	65	37-5	T 10314	1420	1166	62	65	29			
					T 10315	1850	1140	290	65	29	65	37-5	T 10315	1420	1166	62	65	29			
		75R.	60R.	DS	TA 20224	T 10319	1220	566	272	55	26	60	32-5	T 10319	840	595	67-5	55	26		
						T 10320	1220	566	272	55	26	60	32-5	T 10320	840	595	67-5	55	26		
						T 10321	1220	566	272	55	26	60	32-5	T 10321	840	595	67-5	55	26		
						T 10322	1220	566	272	55	26	60	32-5	T 10322	840	595	67-5	55	26		
						T 10323	1220	566	272	55	26	60	32-5	T 10323	840	595	67-5	55	26		
						T 10324	1220	566	272	55	26	60	32-5	T 10324	840	595	67-5	55	26		
90R.	75R.	DS	TA 20490	T 10657	1220	564	273	55	24	60	32-5	T 10657	840	592	69	55	24				
				T 10658	1220	564	273	55	24	60	32-5	T 10658	840	592	69	55	24				
				T 10659	1220	564	273	55	24	60	32-5	T 10659	840	592	69	55	24				
				T 10660	1220	564	273	55	24	60	32-5	T 10660	840	592	69	55	24				
				T 10661	1220	564	273	55	24	60	32-5	T 10661	840	592	69	55	24				
				T 10662	1220	564	273	55	24	60	32-5	T 10662	840	592	69	55	24				

TYPICAL LEADING INSULATED STRETCHER BAR.

(FOR B. G. MOVABLE SWITCH DIAMONDS.)



DETAIL OF SPLICE JOINT.

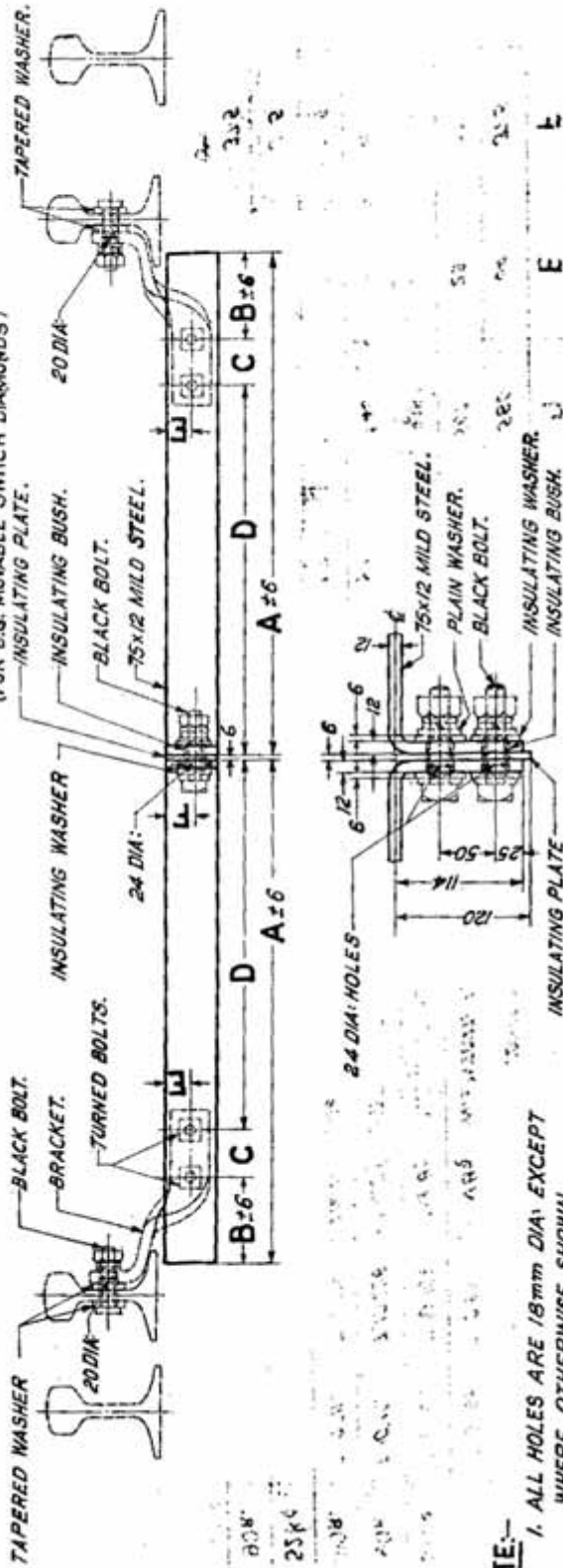
NOTE:- ALL HOLES ARE 18 mm DIA: EXCEPT WHERE OTHERWISE SHOWN.

PART NUMBERS & MAIN DIMENSIONS

RAIL SECTION	DRAWING NUMBER		FOR SWITCH DIAMOND	FOR OBTUSE CROSSING OR INTERMEDIATE PORTION	DIMENSIONS (mm)						
	LEFT PIECE	RIGHT PIECE			A	B	C	D	E	F	G
52 Kg	T 10747	T 10748	1 IN 8½	INTERMEDIATE PORTION	925	300	65	560	34	37.5	65
90R.	T 10369	T 10370	1 IN 8½	INTERMEDIATE PORTION	925	293	65	567	29	37.5	65
52 Kg	T 10701	T 10702	1 IN 8½	OBTUSE CROSSING	950	346.5	65	536.5	36	37.5	65
90R.	T 10705	T 10706	1 IN 9½	OBTUSE CROSSING	950	340	65	545	31	37.5	65
90R.	T 10711	T 10712	1 IN 10	OBTUSE CROSSING	950	333.5	65	551.5	31	37.5	65
52 Kg	T 10641	T 10642	1 IN 12	OBTUSE CROSSING	950	332.5	65	552.5	36	37.5	65
90R.	T 10665	T 10666	1 IN 12	OBTUSE CROSSING	950	327.5	65	557.5	29	37.5	65

TYPICAL FOLLOWING INSULATED STRETCHER BAR.

(FOR B.G. MOVABLE SWITCH DIAMONDS)



NOTE:-

1. ALL HOLES ARE 18mm DIA EXCEPT WHERE OTHERWISE SHOWN.
2. THE DIMENSIONS MARKED * ARE AT 1400mm FROM ACTUAL TOE OF SLIPS.
3. THE DIMENSIONS MARKED @ ARE AT 1530mm FROM ACTUAL TOE OF SLIPS.

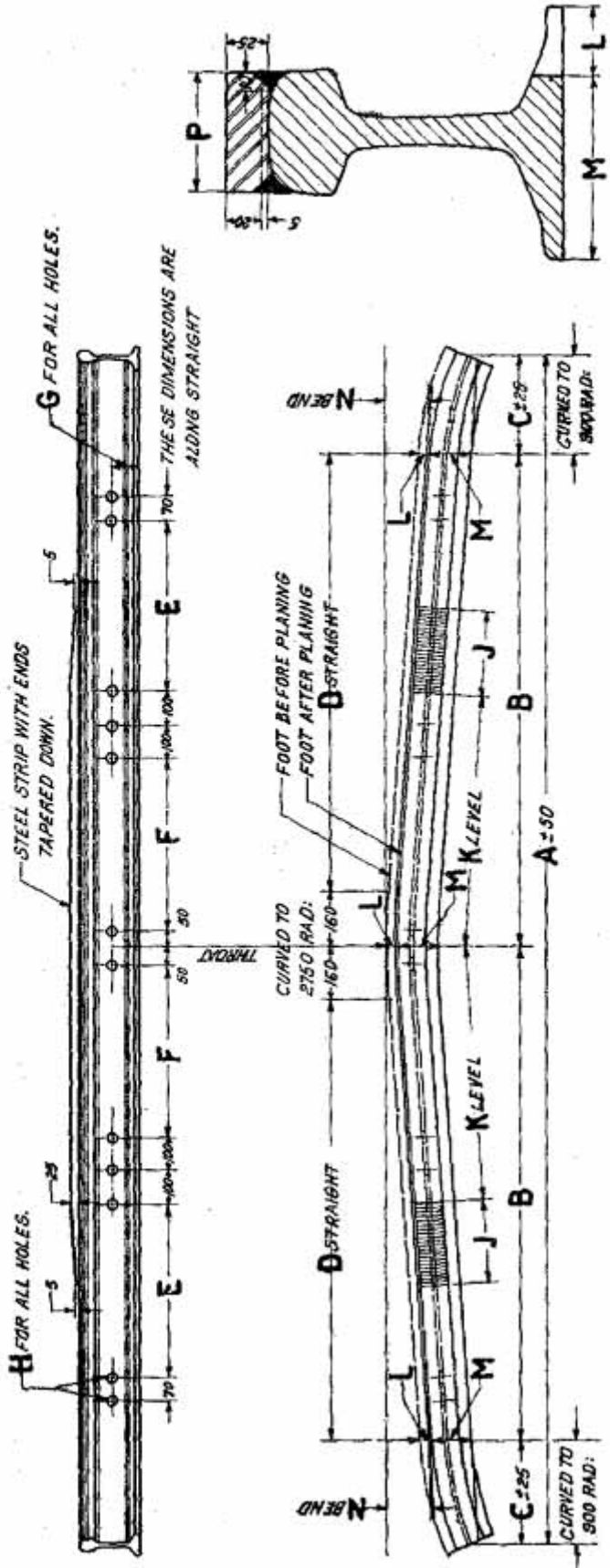
DETAIL OF SPLICE JOINT.

PART NUMBERS & MAIN DIMENSIONS

RAIL SECTION	DRAWING NUMBER	FOR SWITCH DIAMOND	FOR OBTUSE CROSSING OR INTERMEDIATE PORTION	DIMENSIONS (mm)					
				A	B	C	D	E	F
52 Kg	T 10749	1 IN 8½	FOR OBTUSE CROSSING OR INTERMEDIATE PORTION	710	72±.69@	65	573±.576@	34	37.5
90R.	T 10366	1 IN 8½	INTERMEDIATE PORTION	710	66±.5, 65±	65	578±.5, 560@	29	37.5
52 Kg	T 10709	1 IN 8½	OBTUSE CROSSING	710	134.5	65	510.5	36	37.5
90R.	T 10710	1 IN 8½	OBTUSE CROSSING	710	116	65	529	31	37.5
90R.	T 10713	1 IN 10	OBTUSE CROSSING	710	137	65	508	31	37.5
52 Kg	T 10643	1 IN 12	OBTUSE CROSSING	710	125	65	520	36	37.5
90R.	T 10667	1 IN 12	OBTUSE CROSSING	710	120.5	65	524.5	29	37.5

TYPICAL CHECK RAILS

(FOR 11IN 8½ OBTUSE CROSSING)

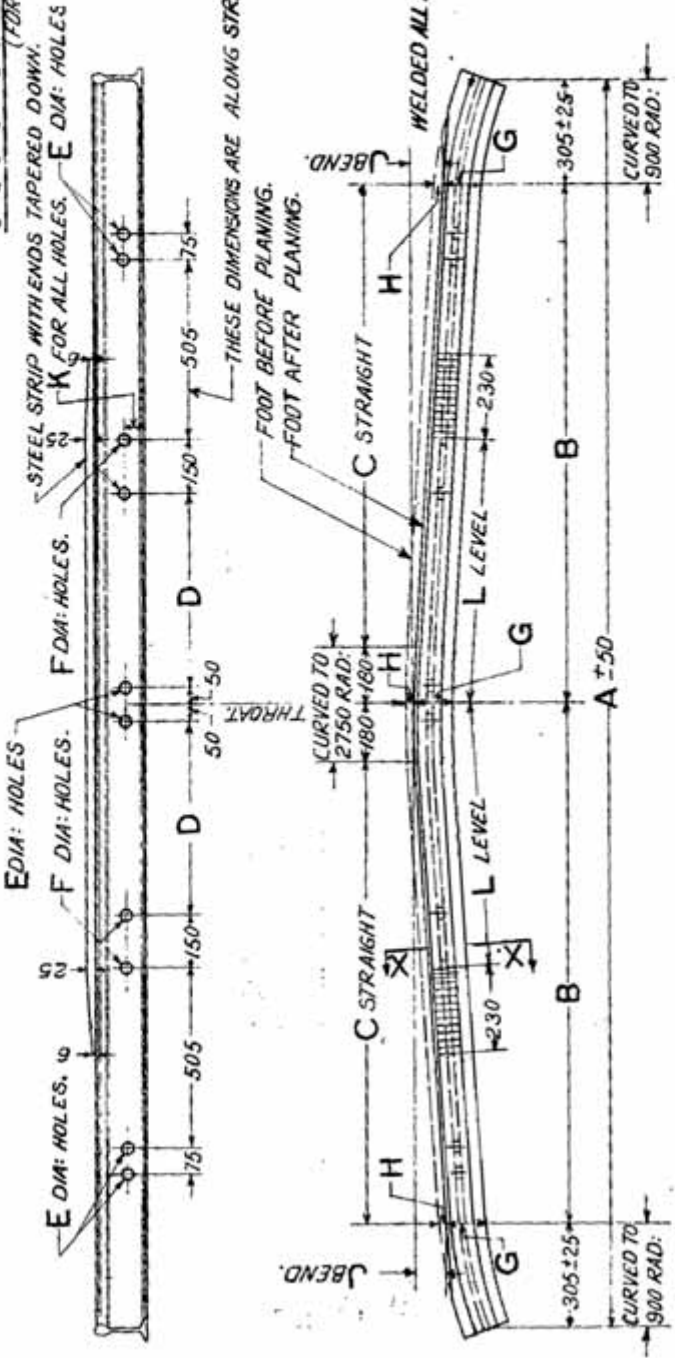


PART NUMBERS & MAIN DIMENSIONS

		DIMENSIONS (in mm)														
RAIL SECTION	PART NUMBER	GAUGE	A	B	C	D	E	F	G	H	J	K	L	M	N	P
UIC 60Kg	T/9053	B.G.	3440	1470	250	1310	550	511	76-25	26	250	750	37	113	95.5	72

TYPICAL CHECK RAIL

(FOR TIGHT & OBTUSE CROSSINGS)



THESE DIMENSIONS ARE ALONG STRAIGHT.

FOOT BEFORE PLANING.

FOOT AFTER PLANING.

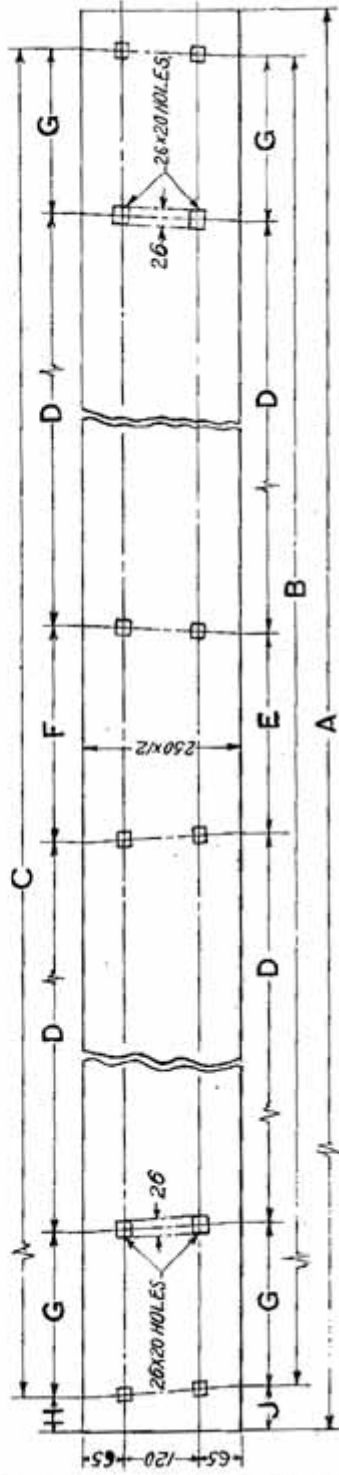
SECTION ON X. X.

PART NUMBERS & MAIN DIMENSIONS

RAIL SECTION	DRAWING NUMBER	GAUGE	DIMENSIONS (mm)												
			A	B	C	D	E	F	G	H	J	K	L	M	
90R.	T 19011	B.G.	3530	1460	1280	544	28	27	107.5	29	96	60	760	65.68	

TYPICAL CROSSING TIE PLATE

(FOR 1 IN 10 ACUTE CROSSINGS)



NOTE:-- ALL HOLES ARE 20 mm SQUARE EXCEPT WHERE OTHERWISE SHOWN.

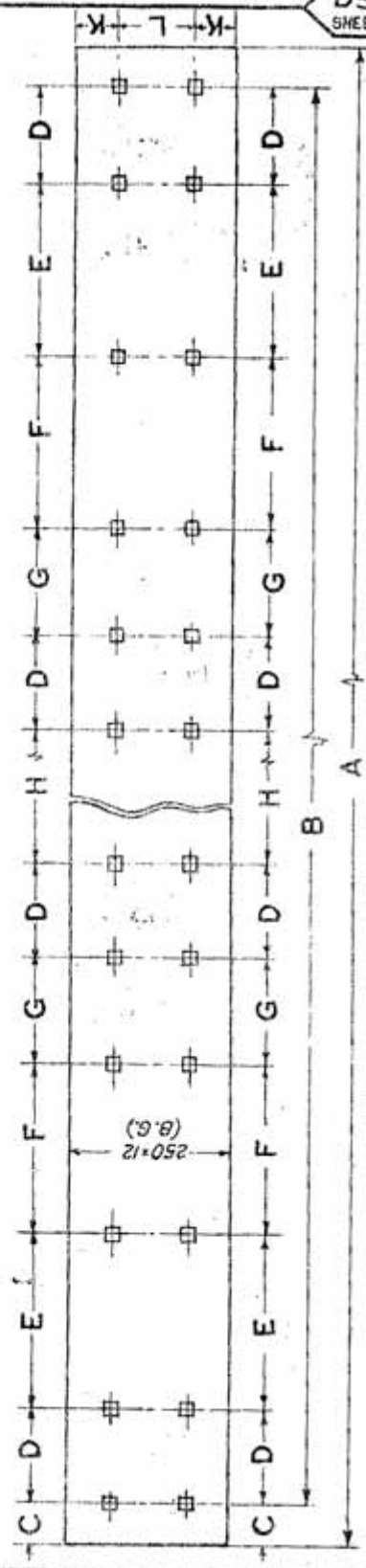
PART NUMBERS & MAIN DIMENSIONS

RAIL SECTION NUMBER	DRAWING GAUGE	DIMENSIONS (mm)									
		A	B	C	D	E	F	G	H	J	
90R	T 15030 B.G.	3750	3602	3627	1374	334	359	260	60	72.5	

TYPICAL CROSSING TIE PLATE

TYPICAL CROSSING TIE PLATE.

(FOR 1 IN 8 1/2 DIAMOND CROSSINGS.)



NOTE:-
ALL HOLES ARE 20 mm SQUARE.

PART NUMBERS & MAIN DIMENSIONS

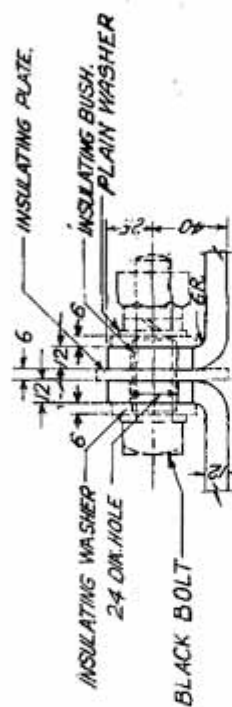
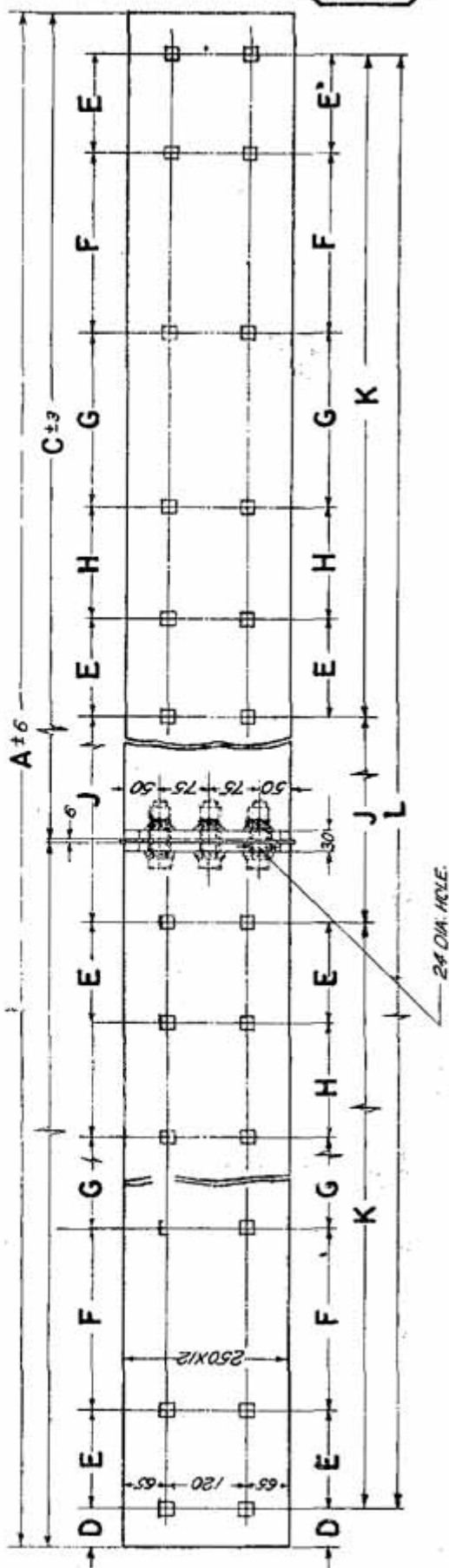
RAIL SECTION	DRAWING NUMBER	GAUGE	DIMENSIONS (IN MM)											
			A	B	C	D	E	F	G	H	J	K	L	
90R.	T 15 039	B.G.	2 900	2 770	65	152	280	270	173.5	715	-	65	120	

TYPICAL INSULATED TIE PLATE

(FOR B.G. OBTUSE CROSSING AND SLIPS)

TYPICAL INSULATED TIE PLATE

(FOR B.G. OBTUSE CROSSING AND SLIPS.)



DETAIL OF INSULATED JOINT

NOTE:-

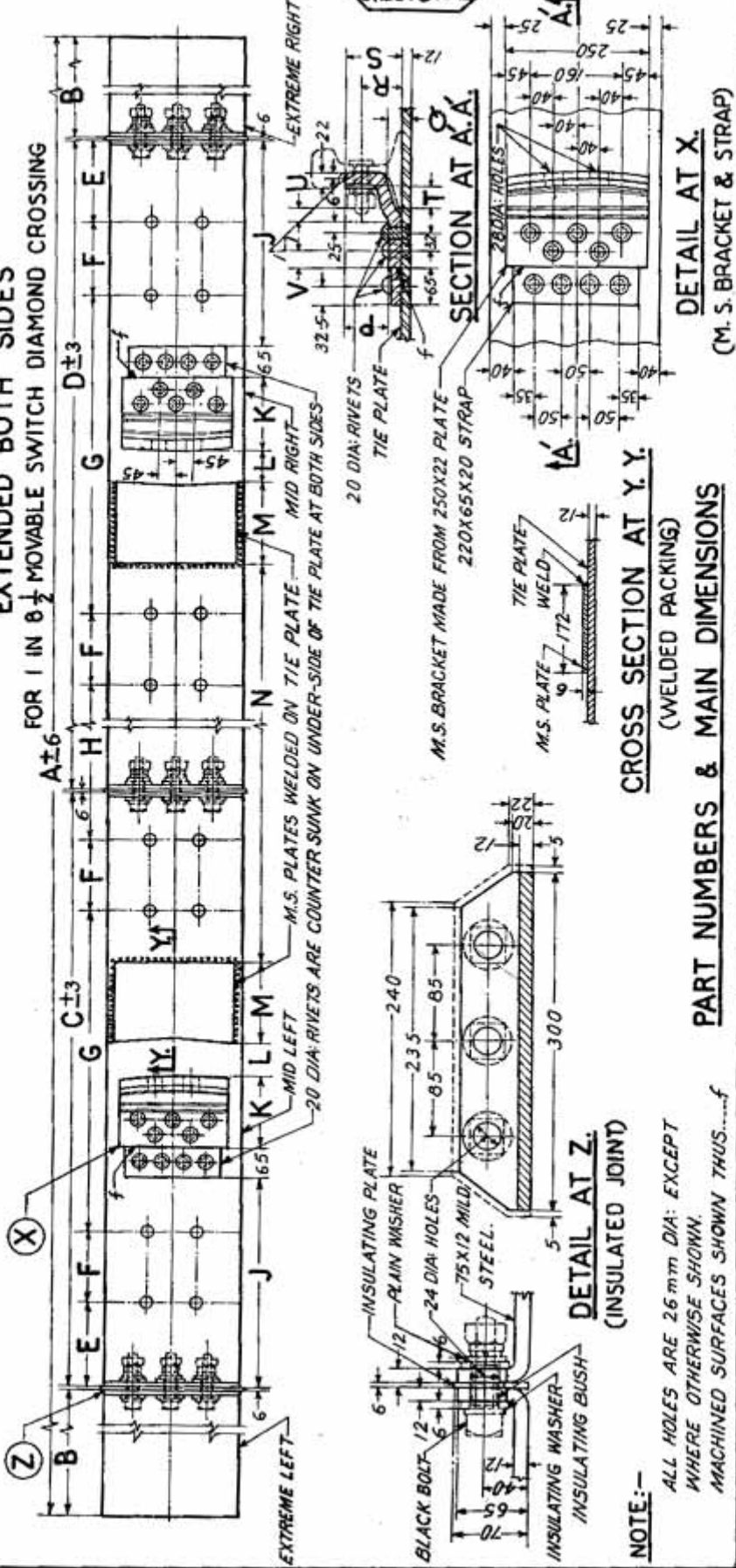
ALL HOLES ARE 20mm SQUARE.

PART NUMBERS & MAIN DIMENSIONS

RAIL SECTION	DRAWING NUMBERS		FOR CROSSING	DIMENSIONS										
	LEFT PIECE	RIGHT PIECE		A	B	C	D	E	F	G	H	J	K	L
90R.	T 15076	T 15077	1 IN 8 1/2	2900	1217	1677	65	152	280	273.5	170	715	1027.5	2770

TYPICAL INSULATED CROSSING TIE PLATE

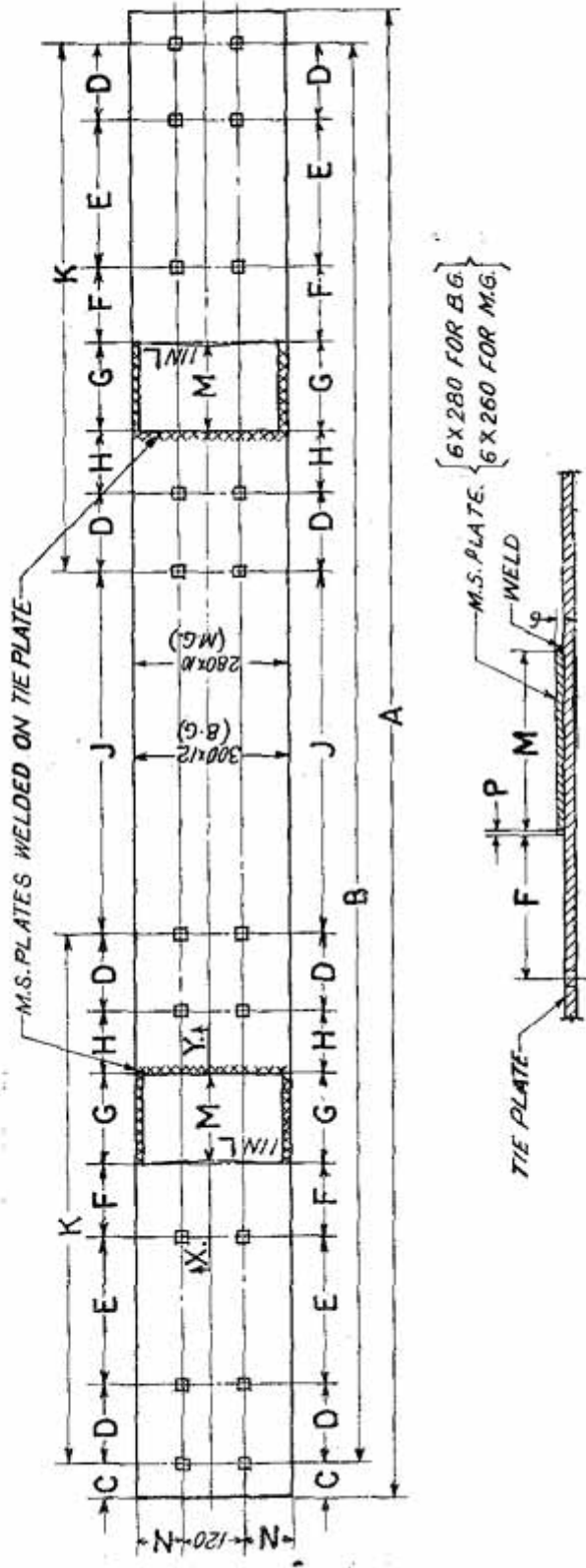
EXTENDED BOTH SIDES
FOR 1 IN 8 1/2 MOVABLE SWITCH DIAMOND CROSSING



RAIL SECTION	PART NUMBERS				DIMENSIONS mm																			
	EXTREME LEFT	MID LEFT	MID RIGHT	EXTREME RIGHT	A	B	C	D	E	F	G	H	J	K	L	M	N	P	Q	R	S	T	U	V
52 kg	T/5226	T/5223	T/5225	T/5226	4654	750	1330	1806	180.5	160	716	709	461.5	163	72	180	1259	78	22	73	100	38	18	28
90R	T/5236	T/5233	T/5235	T/5236	4654	750	1330	1806	180.5	160	716	709	461	162	73.5	180	1259	73	17.5	66	95	39	17	27

TYPICAL CROSSING TIE PLATE.

(FOR MOVABLE SWITCH DIAMOND CROSSINGS)



SECTION ON X Y

NOTE:-

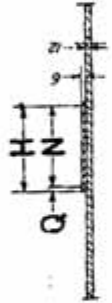
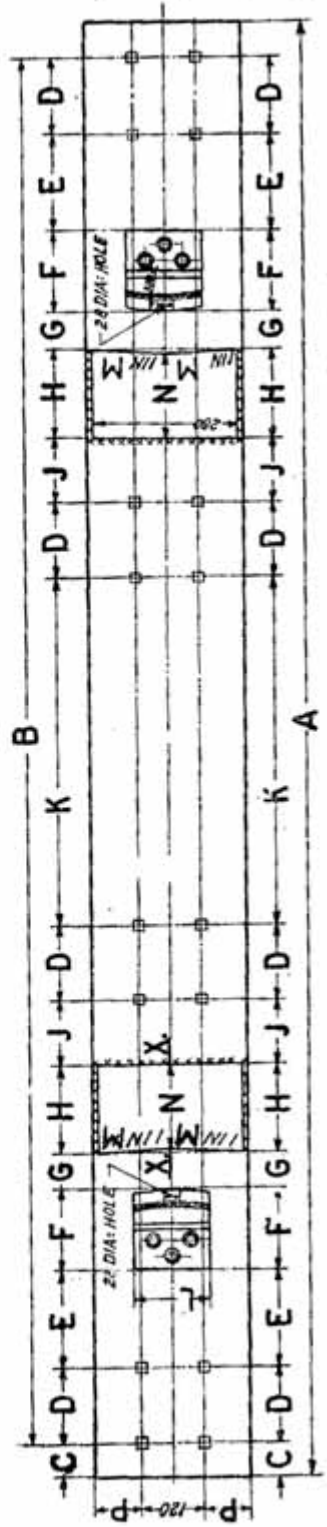
ALL HOLES ARE 20 mm SQUARE.

PART NUMBERS & MAIN DIMENSIONS

RAIL SECTION	DRAWING NUMBER	CROSSING	GAUGE	DIMENSIONS													
				A	B	C	D	E	F	G	H	J	K	L	M	N	P
90R	T/5029	1 IN 10	B.G.	3000	2872	65	152	330	144	180	169	618	1127	20	172.5	90	7.5
52kg	T/5091	1 IN 12	B.G.	2920	2789	65	152	290	144	180	125	703	1043	24	173.5	90	6.5
			M.G.	2920	1821	60	138	160	130.5	153.5	90.5	305	758	24	148	80	5.5

TYPICAL CROSSING TIE PLATE

(FOR MOVABLE SWITCH DIAMOND CROSSING)



SECTION ON X.X.

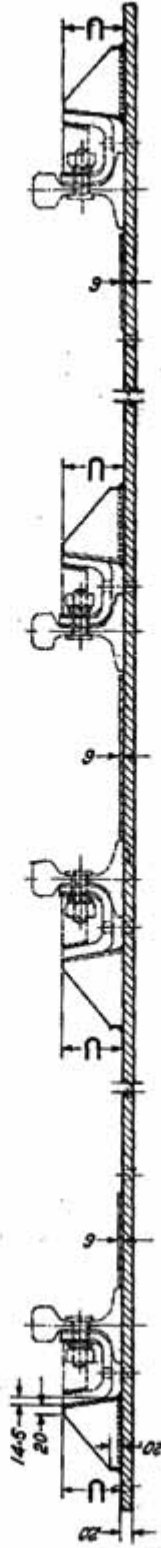
PART NUMBERS & MAIN DIMENSIONS

NOTE:— ARE HOLES ARE 20 mm SQUARE.

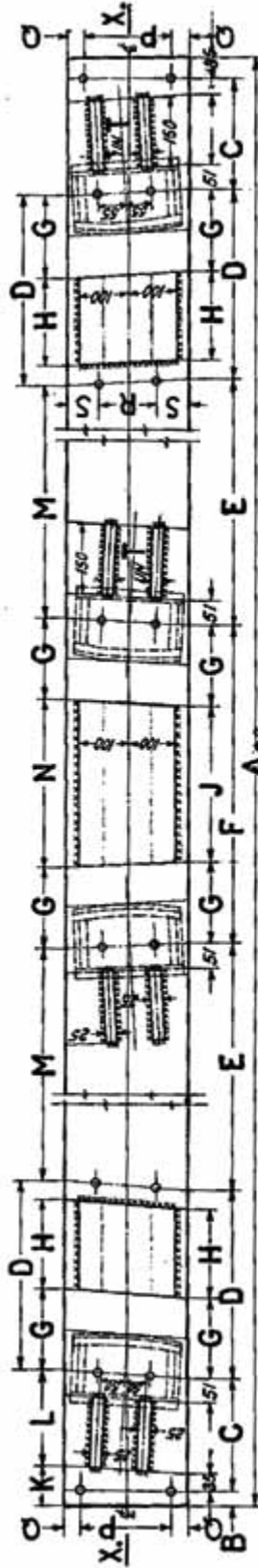
RAIL SECTION	PART NUMBER	CROSSING GAUGE	DIMENSIONS (mm)														
			A	B	C	D	E	F	G	H	J	K	L	M	N	P	Q
90 R.	T/5105	1 1/2 B.S.	2920	2794	65	152	198	162	73	180	124	702	150	24	174	90	6

TYPICAL SWITCH TIE PLATE B.G.

(FOR DIAMOND & SLIPS)



SECTION ON X.X.



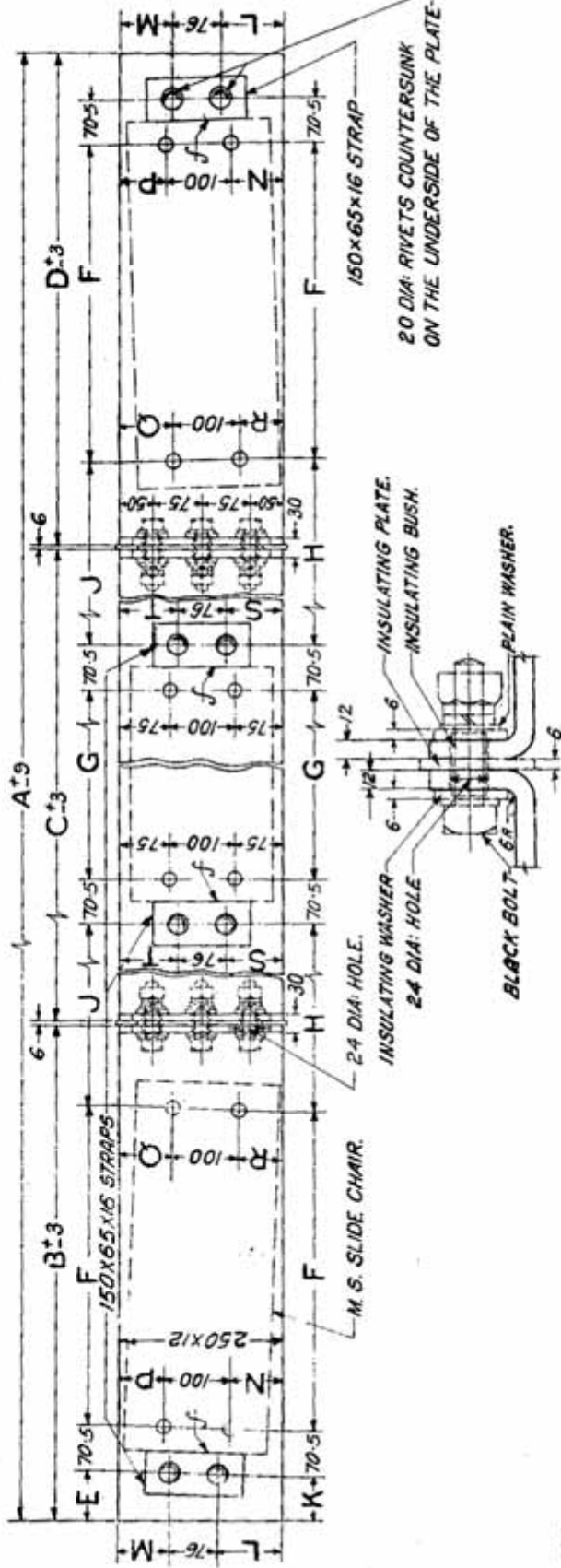
PLAN

PART NUMBERS & MAIN DIMENSIONS

RAIL SECTION NUMBER	DRAWING NUMBER	GAUGE	CROSSING NUMBER	DIMENSIONS (IN MM)																		
				A	B	C	D	E	F	G	H	J	K	L	M	N	P	Q	R	S	T	U
UIC 60kg	T/5.2/3	B.G.	1/IN 8 1/2	3810	35	296	395	931.5	611.5	171	184	269.5	65	201	902	299.5	180	35	120	65	17	115

TYPICAL INSULATED TIE PLATE.

(FOR B. G. SWITCHES IN SLIPS.)



20 DIA. RIVETS COUNTERSUNK ON THE UNDERSIDE OF THE PLATE

DETAIL OF INSULATED JOINT

PART NUMBERS & MAIN DIMENSIONS

NOTE:-
ALL HOLES ARE 22mm DIA: EXCEPT WHERE OTHERWISE SHOWN.
MACHINED SURFACES SHOWN THUS.....f

RAIL SECTION	DRAWING NUMBERS			D I M E N S I O N S																		
	LEFT PIECE	MID PIECE	RIGHT PIECE	FOR CROSSING	A	B	C	D	E	F	G	H	J	K	L	M	N	P	Q	R	S	T
52Kg	T 15220	T 15221	T 15222	1 IN 8 1/2	3840	1338	1150	1340	88	485	794	816	808	80	95	79	81	89	84	66	87	87
90R.	T 15230	T 15231	T 15232	1 IN 8 1/2	3840	1343	1142	1343	90	489	786	819	811	82	95	79	81	89	84	66	87	87

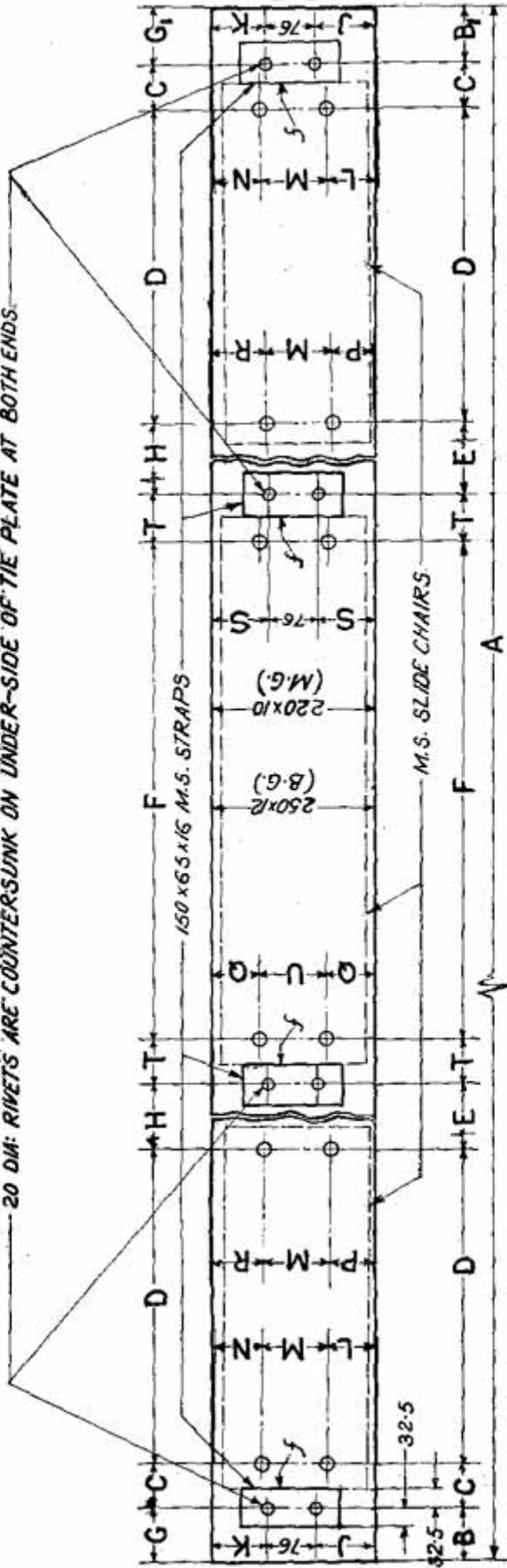
TYPICAL SWITCH TIE PLATE

(FOR SINGLE & DOUBLE SLIPS)

DS 32

SHEET 11 OF 12

20 DIA: RIVETS ARE COUNTER-SUNK ON UNDER-SIDE OF TIE PLATE AT BOTH ENDS.



NOTE:-

ALL HOLES ARE 22 mm DIA: FOR T 15127.

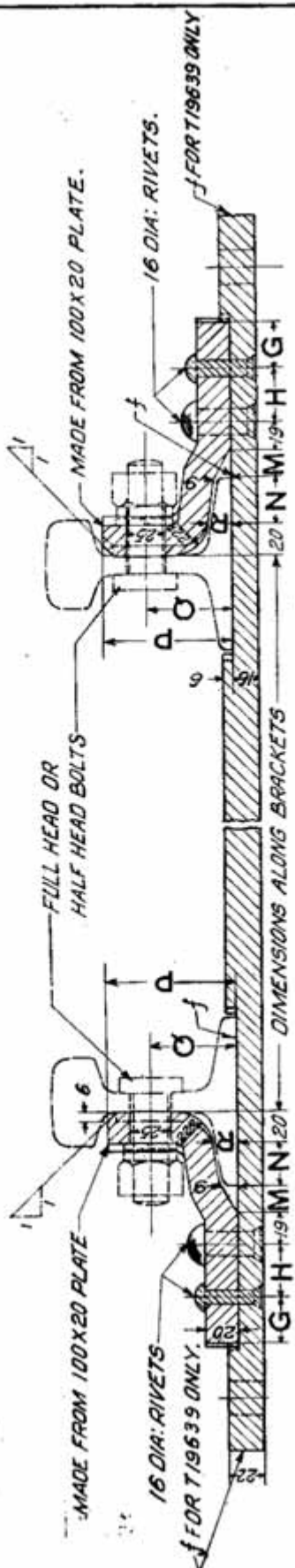
ALL HOLES ARE 21 mm DIA: EXCEPT FOR DRAWING NO. T 15127 MACHINED SURFACES SHOWN THUS.

PART NUMBERS & MAIN DIMENSIONS

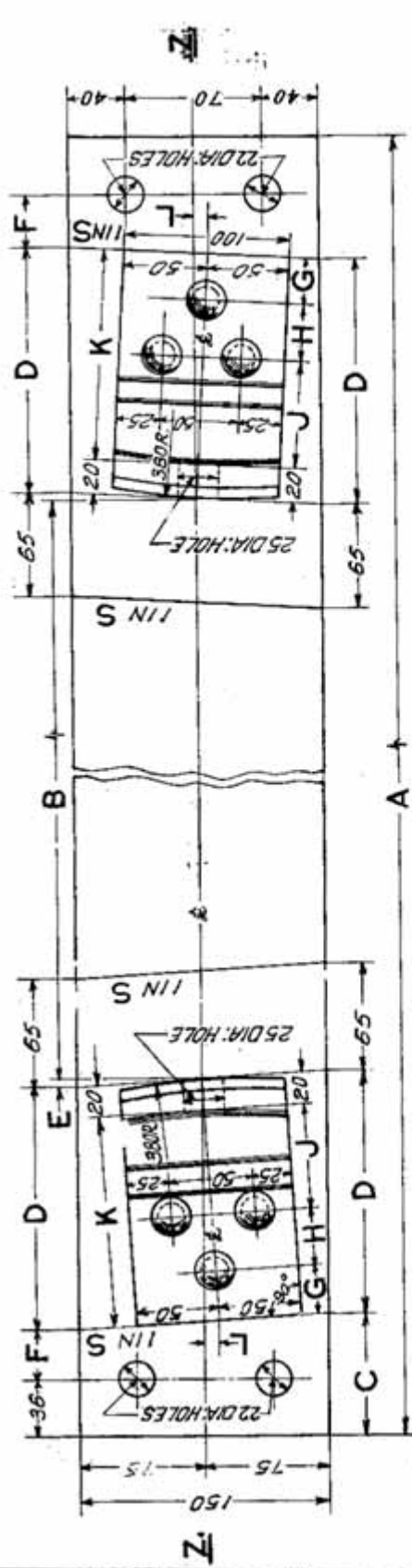
RAIL SECTION	DRAWING NUMBER	GAUGE	CROSSING	DIMENSIONS (IN INCHES)																				
				A	B	B ₁	C	D	E	F	G	G ₁	H	J	K	L	M	N	P	Q	R	S	T	U
90 R.	T 15031	B.G.	1 IN 8 1/2	3820	70	-	70-5	490	814	786	78	-	806	95	79	81	100	69	66	75	84	87	70-5	100
90 R.	T 15028	B.G.	1 IN 10	3630	80	-	70-5	490	814-5	782	85-5	-	809	93	81	79	100	71	68	75	82	87	70-5	100
52 Kg	T 15092	B.G.	1 IN 12	3630	80	-	70-5	490	813-5	783	86	-	807-5	93	81	79	100	71	68	75	82	87	70-5	100
90 R.	T 15106	B.G.	1 IN 12	3630	80	-	70-5	490	811-5	781	85	-	806-5	93	81	79	100	71	68	75	82	87	70-5	100
60 R.	T 15127	M.G.	1 IN 8 1/2	2420	-	64	71-5	423	216-5	733-5	-	70	210-5	78	66	80	70	70	69	75	81	-	68-5	70
75 R.	T 15103	M.G.	1 IN 12	2480	-	70	68-5	438	220-5	740-5	-	72	218	75	69	71	82	67	66-5	60	71-5	-	70-5	100

TYPICAL SLIDE CHAIR.

(FOR DIAMOND WITH SLIPS M.G.)



SECTION ON Z. Z.



PLAN.

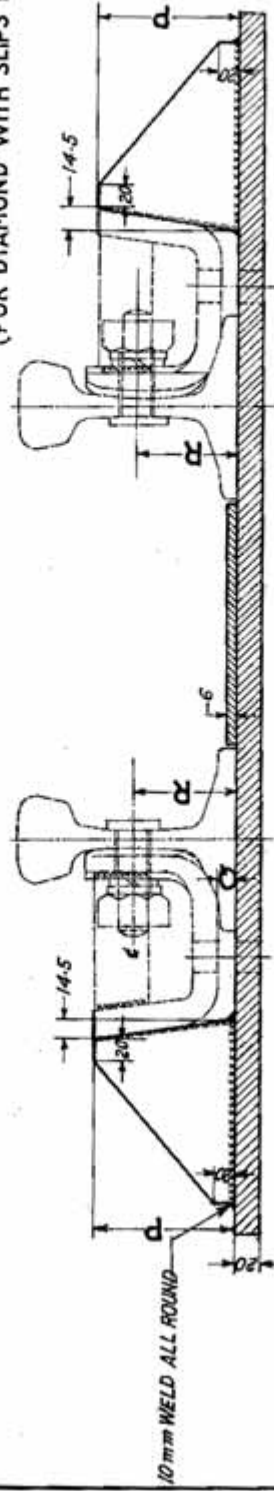
MACHINED SURFACE SHOWN THIS SIDE

PART NUMBERS & MAIN DIMENSIONS

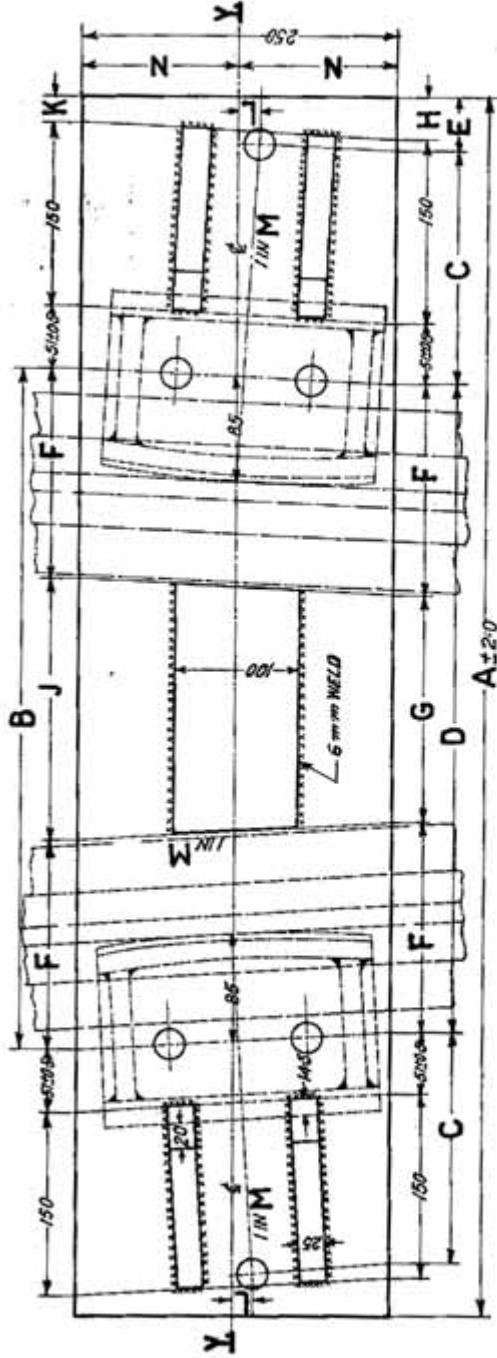
RAIL SECTION	CROSSING	DRAWING NUMBER	DIMENSIONS (mm)																
			A	B	C	D	E	F	G	H	J	K	L	M	N	P	Q	R	S
60R.	1/IN 8 1/2	T 19639	805.5	354.5	80	150	4.5	35	30	35	65	130	9	16	30	80	53.5	14	17
60R.	1/IN 8 1/2	T 19640	880	420	80	150	4.5	35	30	35	65	130	9	16	30	80	53.5	14	17
60R.	1/IN 8 1/2	T 19641	930	476	80	150	4.5	35	30	35	65	130	9	16	30	80	53.5	14	17
60R.	1/IN 8 1/2	T 19642	990	539	80	150	4.5	35	30	35	65	130	9	16	30	80	53.5	14	17

TYPICAL SPECIAL SLIDE CHAIR

(FOR DIAMOND WITH SLIPS B.G.)



SECTION ON Y.Y.



NOTE:-

ALL HOLES ARE 22 mm DIA.

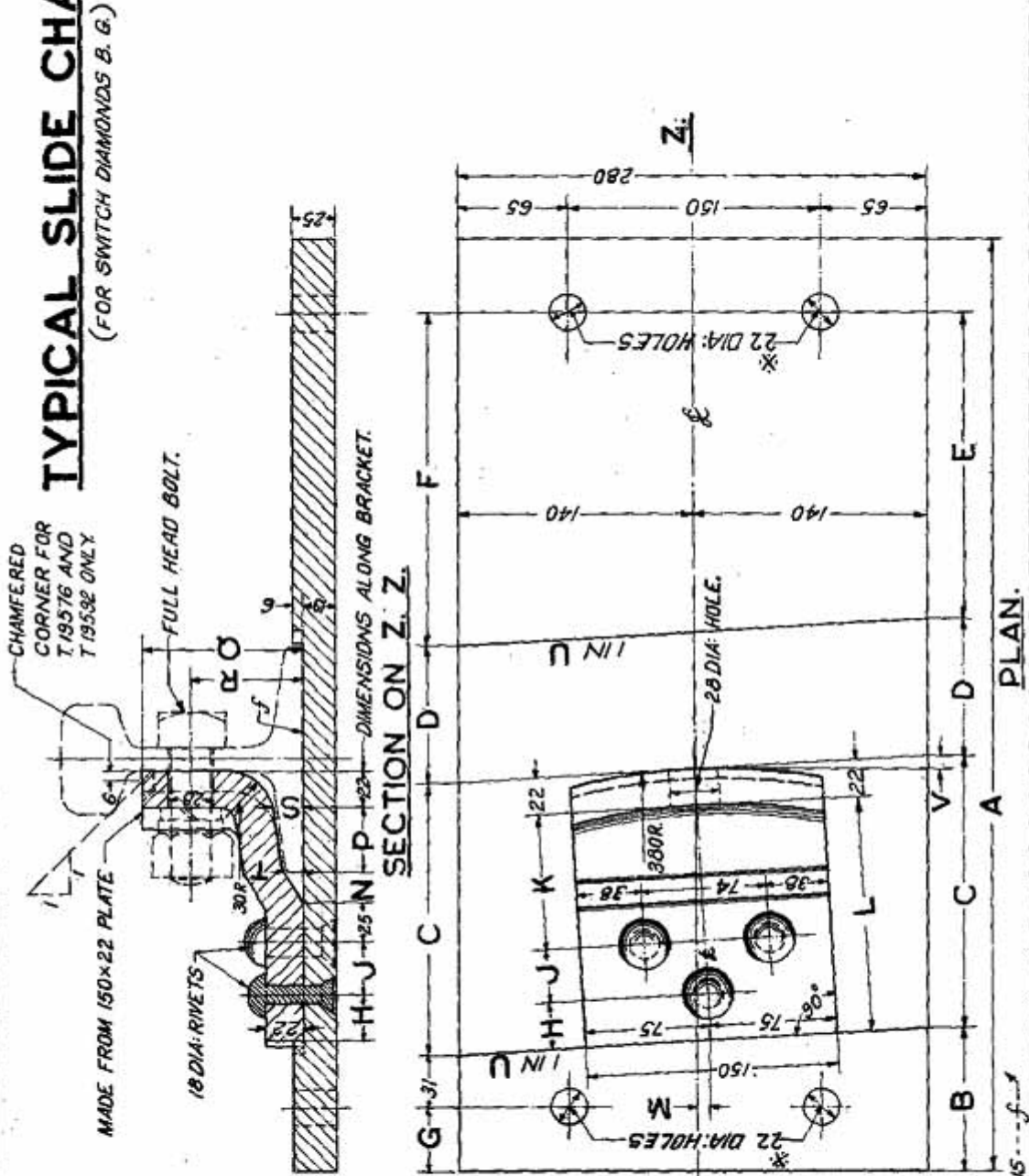
PLAN

PART NUMBERS & MAIN DIMENSIONS

RAIL CROSSING SECTION	DRAWING NUMBER	DIMENSIONS (mm)																			
		A	B	C	D	E	F	G	H	J	K	L	M	N	P	Q	R	S	T	U	V
90 R. 1 IN 10	T 19516	640	82	163	86	263	260	40	28	31	82	141	8	18	39	35	66	175	11	20	55
90 R. 1 IN 10	T 19517	590	80	163	86	223	234	38	28	31	82	141	8	18	38	35	66	175	11	20	55
57 Kg 1 IN 12	T 19575	570	78	163	86	204	213	38	26	32	81	141	7	18	38	100	73	22	11	24	45
90 R. 1 IN 12	T 19621	570	78	162	86	204	213	38	27	32	81	140	7	17	38	95	66	175	11	24	45

TYPICAL SLIDE CHAIR.

(FOR SWITCH DIAMONDS B. G.)



* 21 DIA. HOLES FOR T.19516, T.19576 & T.19626. MACHINED SURFACE SHOWN THUS ---f---

PART NUMBERS & MAIN DIMENSIONS

RAIL SECTION	CROSSING	DRAWING NUMBER	DIMENSIONS (in mm)																							
			A	B	C	D	E	F	G	H	J	K	L	M	N	P	Q	R	S	T	U	V				
52Kg	1 IN 8 1/2	T 19592	560	85	163	86	184	200	38	38	28	32	81	141	9.5	18	38	100	73	22	11	17	8.0			
90 R.	1 IN 8 1/2	T 19604	560	85	162	85	185	201	38	38	27	32	81	140	9.5	17	39	95	66	17.5	11	17	8.0			
90 R.	1 IN 10	T 19518	550	83	163	86	180	194	38	38	28	31	82	141	8	18	39	95	66	17.5	11	20	7.0			
52Kg	1 IN 12	T 19576	550	81	163	86	176	188	38	38	28	32	81	141	7	18	38	100	73	22	11	24	6.0			
90 R.	1 IN 12	T 19626	550	81	162	86	180	192	38	38	27	32	81	140	7	17	39	95	66	17.5	11	24	6.0			

TYPICAL SLIDE CHAIR.

(FOR SWITCH DIAMONDS B.G.)

CHAMFERED CORNER FOR
T 19574 & T 19593 ONLY

MADE FROM 150 X 22 PLATE

18 DIA. RIVETS

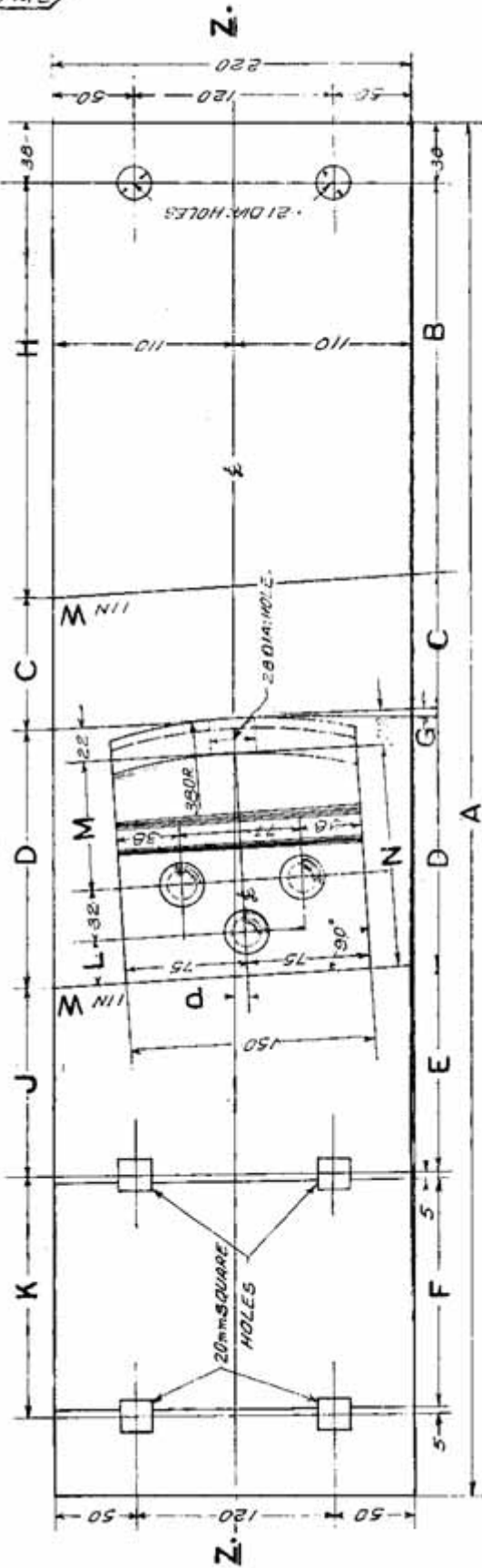
FULL HEAD
BOLT



DIMENSIONS ALONG BRACKET.

-L-32 -Q-25 -R-22-

SECTION ON Z.Z.



PLAN

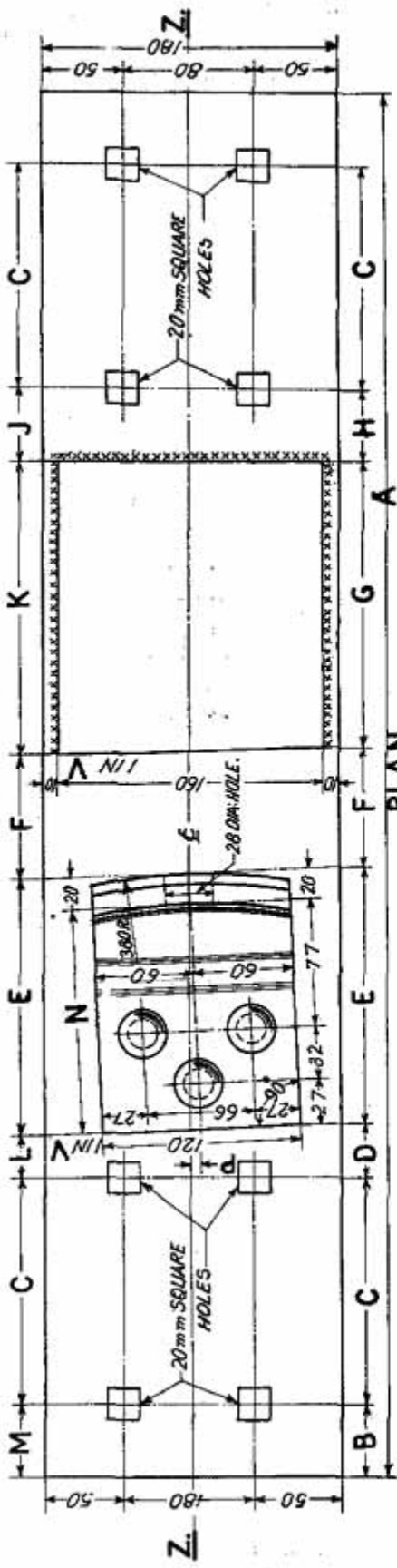
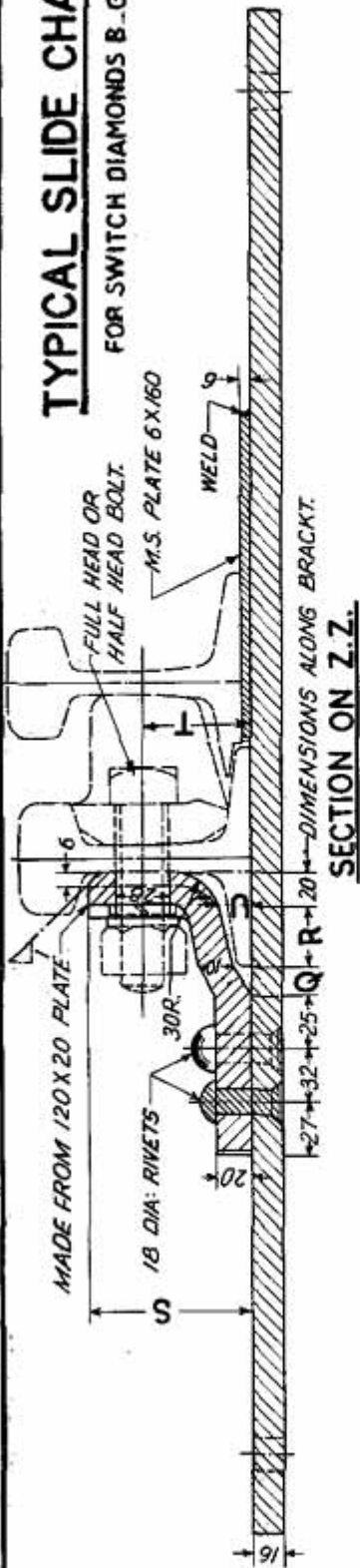
MACHINED SURFACE SHOWN THUS -f-

PART NUMBERS & MAIN DIMENSIONS

RAIL SECTION	CROSSING	DRAWING NUMBER	DIMENSIONS (mm)																				
			A	B	C	D	E	F	G	H	J	K	L	M	N	P	Q	R	S	T	U	V	W
52Kg	1/1/12	T 19574	860	237	86	163	133	142	4.5	246	125	152	28	81	141	7	16	38	100	73	22	11	24
90R.	1/1/12	T 19628	860	241	86	162	134	142	4.5	250	125	152	27	81	140	7	17	39	95	66	17.5	11	24

TYPICAL SLIDE CHAIR

FOR SWITCH DIAMONDS B.G.

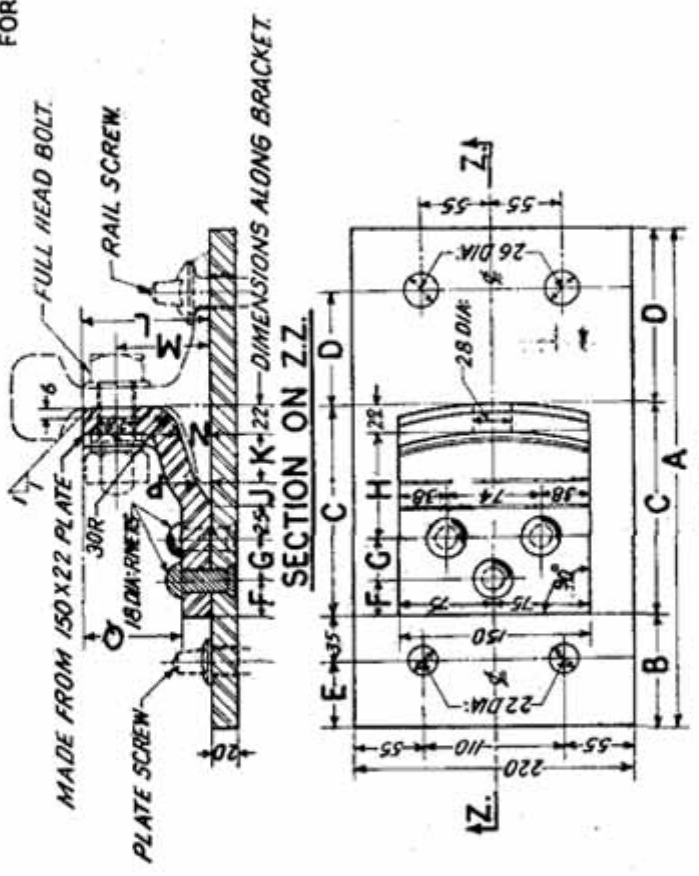


PART NUMBERS & MAIN DIMENSIONS

RAIL SECTION	CROSSING NUMBER	DRAWING NUMBER	DIMENSIONS ^{mm}																							
			A	B	C	D	E	F	G	H	J	K	L	M	N	P	Q	R	S	T	U	V				
75 R.	1 IN 12	T 19611	850	45	138	56.5	156	75	150	45	46	156.5	49	45	136	6.5	17	35	90	60	16	24				
75 R.	1 IN 12	T 19612	850	45	138	34	156	75	175	44	45.5	181.5	27	44.5	136	6.5	17	35	90	60	16	24				

TYPICAL SLIDE CHAIR

FOR SWITCH DIAMONDS B1.G.

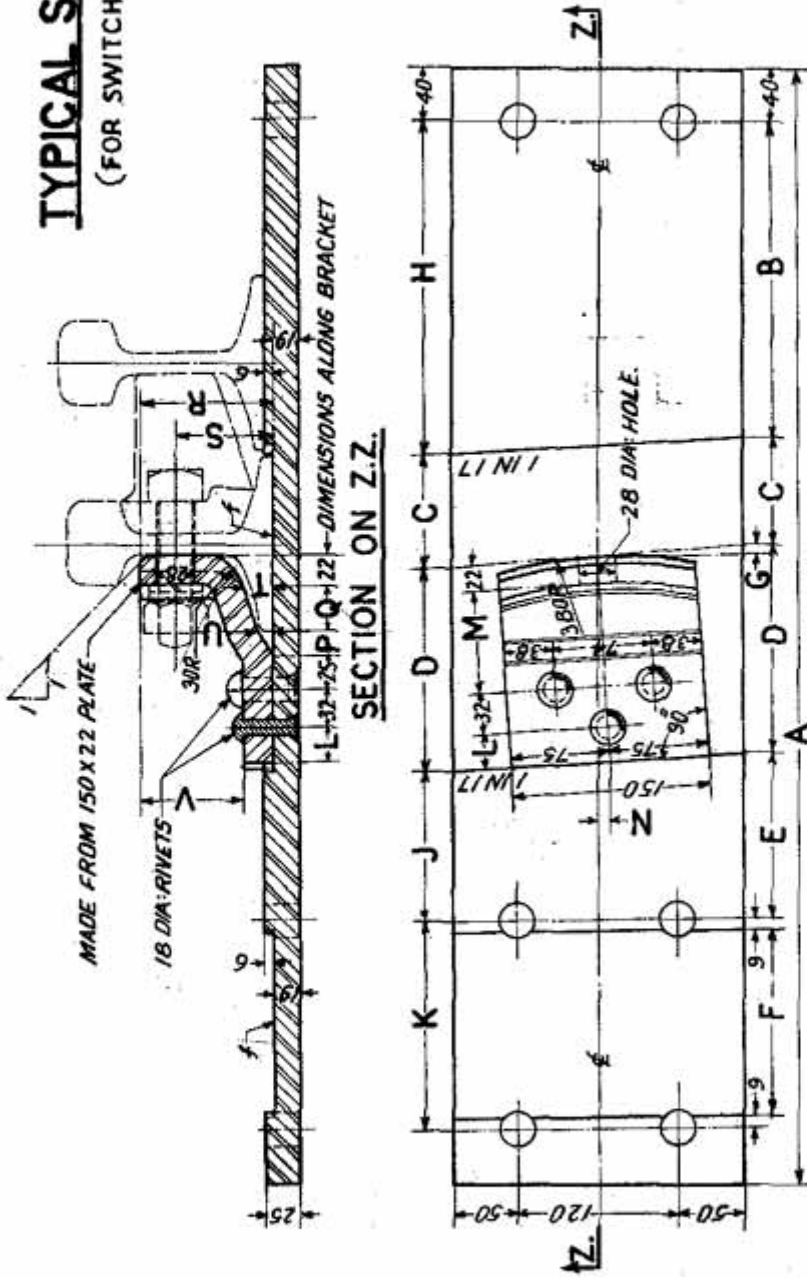


PART NUMBERS & MAIN DIMENSIONS

RAIL SECTION	DRAWING NUMBER	DIMENSIONS															
		A	B	C	D	E	F	G	H	J	K	L	M	N	P	Q	
52kg	T 10742	385	85	163	88	50	28	32	81	18	38	100	73	22	11	78	
90R.	T 10757	385	85	162	87	50	27	32	81	17	39	95	66	17.5	11	73	

TYPICAL SLIDE CHAIR

(FOR SWITCH DIAMONDS B.G.)



NOTE:-

ALL HOLES ARE 26mm DIA: EXCEPT WHERE OTHERWISE SHOWN.

MACHINED SURFACES SHOWN THUS.....

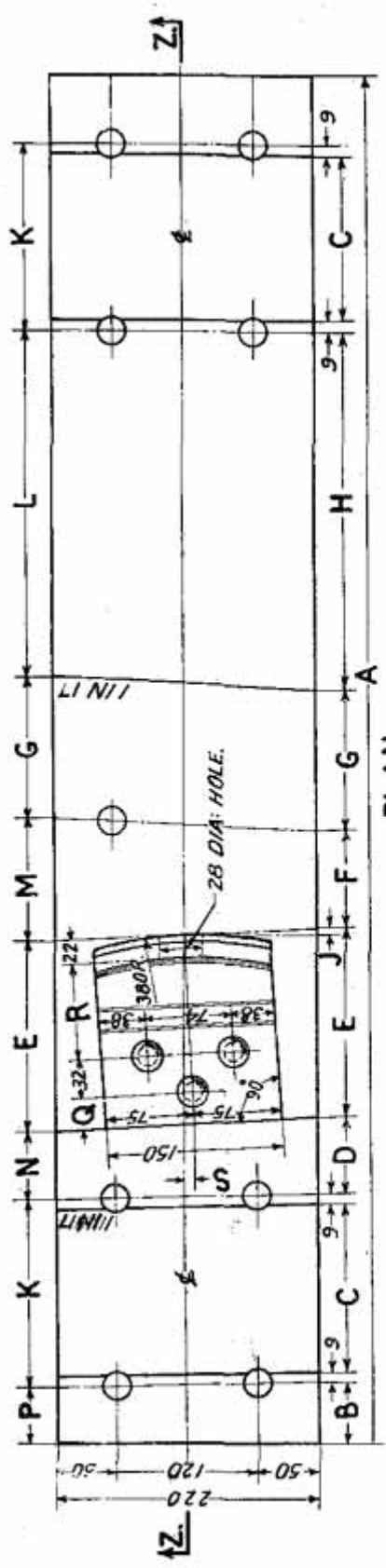
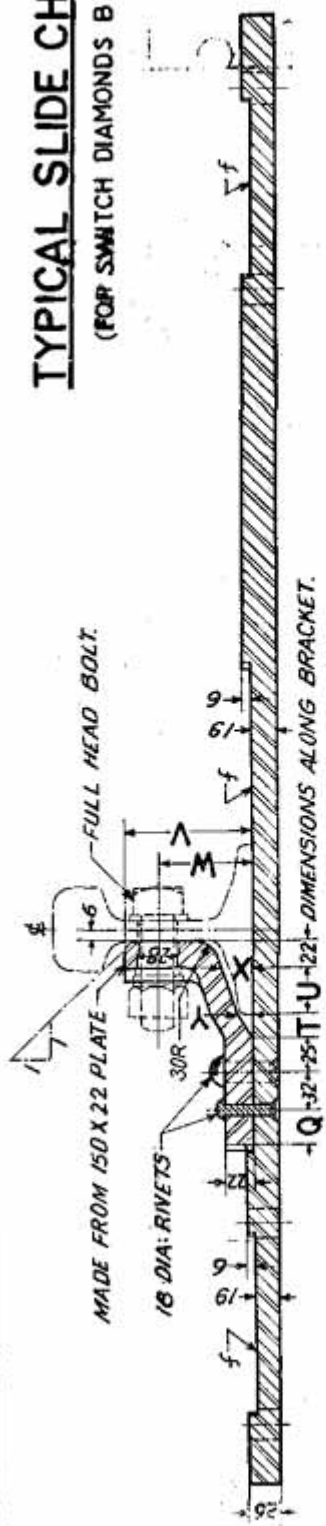
PART NUMBERS & MAIN DIMENSIONS

D I M E N S I O N S
mm

RAIL SECTION	CROSSING	DRAWING NUMBER	D I M E N S I O N S (mm)																						
			A	B	C	D	E	F	G	H	I	J	K	L	M	N	P	Q	R	S	T	U	V		
52 kg	1 IN 8 1/2	T/9654	875	248	86	163	126	142	6.5	261	114	160	28	81	9.5	18	38	100	73	22	11	78			
90R.	1 IN 8 1/2	T/9658	875	248	85	162	128	142	6.5	261	115	160	27	81	9.5	17	39	95	66	17.5	11	73			

TYPICAL SLIDE CHAIR

(FOR SWITCH DIAMONDS B. G.)



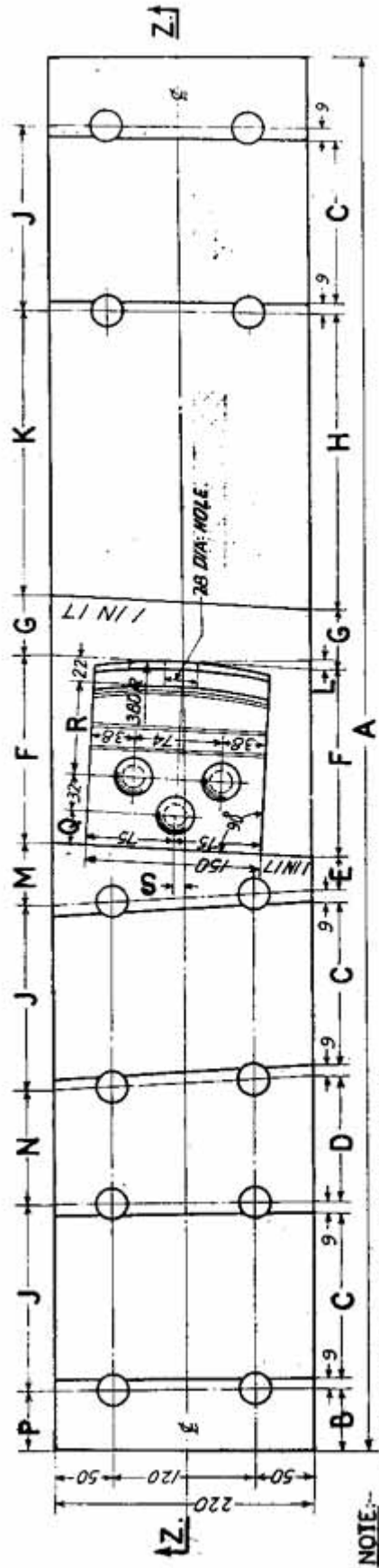
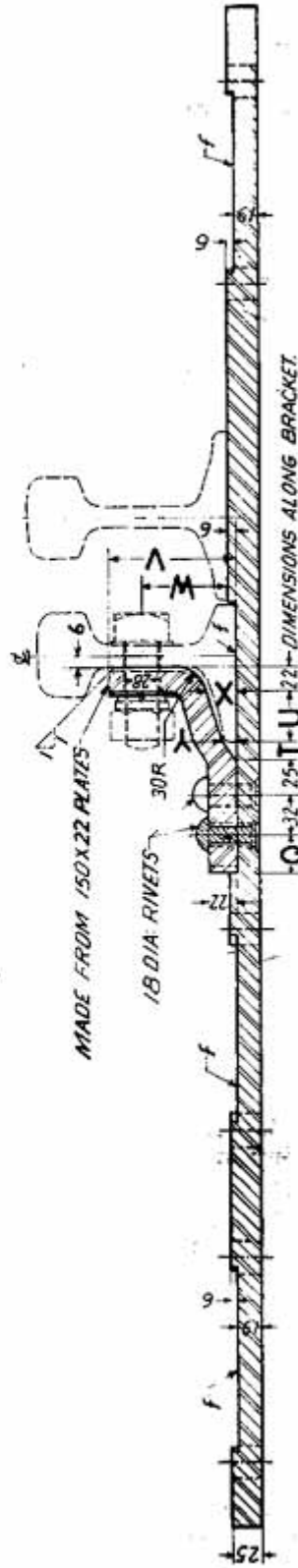
NOTE:-
ALL HOLES ARE 26mm DIA: EXCEPT WHERE OTHERWISE SHOWN.
MACHINED SURFACES SHOWN THUS.....f

PART NUMBERS & MAIN DIMENSIONS

RAIL SECTION	DRAWING NUMBER	DIMENSIONS																						
		A	B	C	D	E	F	G	H	J	K	L	M	N	P	Q	R	S	T	U	V	W	X	Y
52kg	1 IN 8 1/2 T 19653	1170	52.5	142	66	163	60.5	123	306	6.5	160	295.5	106.5	55.5	50	28	81	9.5	18	38	100	73	22	11
90R.	1 IN 8 1/2 T 19657	1170	52.5	142	68	162	79	123	306	6.5	160	295	105	57	50	27	81	9.5	17	39	95	66	17.5	11

TYPICAL SLIDE CHAIR

(FOR SWITCH DIAMONDS B. 6.)



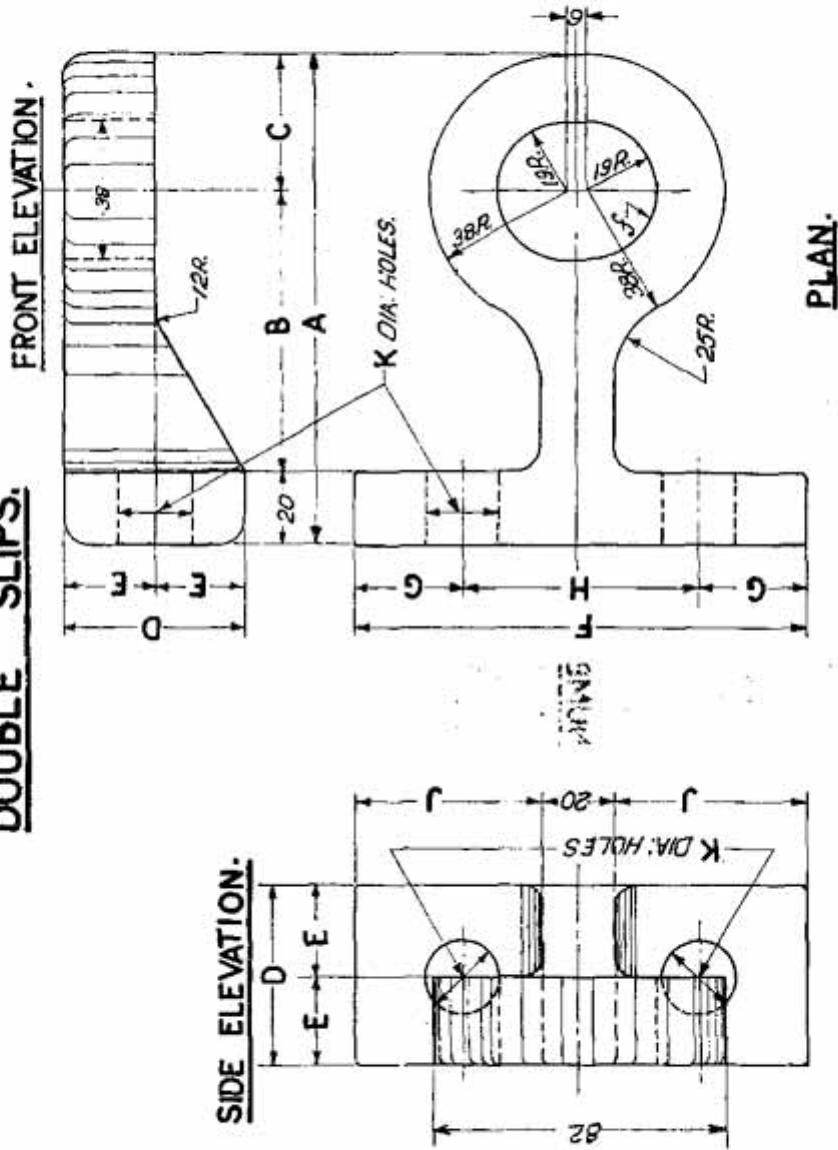
NOTE: ALL HOLES ARE 26TH DIA: EXCEPT WHERE OTHERWISE SHOWN.
MACHINED SURFACES SHOWN THUS.....f

PART NUMBERS & MAIN DIMENSIONS

RAIL SECTION	CROSSING	DRAWING NUMBER	D I M E N S I O N S																									
			A	B	C	D	E	F	G	H	J	K	L	M	N	P	Q	R	S	T	U	V	W	X	Y			
52kg	1 IN 8 1/2	T 19651	1210	54	142	83.5	93	163	51	232.5	160	223.5	6.5	119	74.5	50	28	81	9.5	18	38	100	73	22	11			
52kg	1 IN 8 1/2	T 19652	1200	53	142	108	27	163	51	256.5	160	246.5	6.5	53	98	50	28	81	9.5	18	38	100	73	22	11			
90R	1 IN 8 1/2	T 19655	1210	54	142	83	94.5	162	50	232.5	160	223.5	6.5	120.5	74	50	27	81	9.5	17	39	95	66	17.5	11			
90R	1 IN 8 1/2	T 19656	1200	53	142	107	29	162	50	256.5	160	246.5	6.5	55	97	50	27	81	9.5	17	39	95	66	17.5	11			

TYPICAL RAIL LUG FOR LEADING STRETCHER BAR FOR

DOUBLE SLIPS.



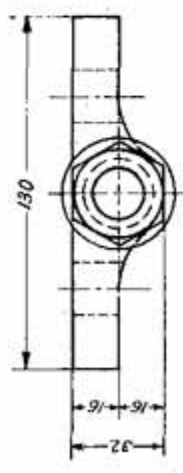
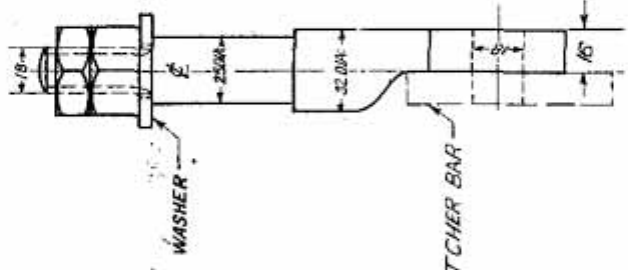
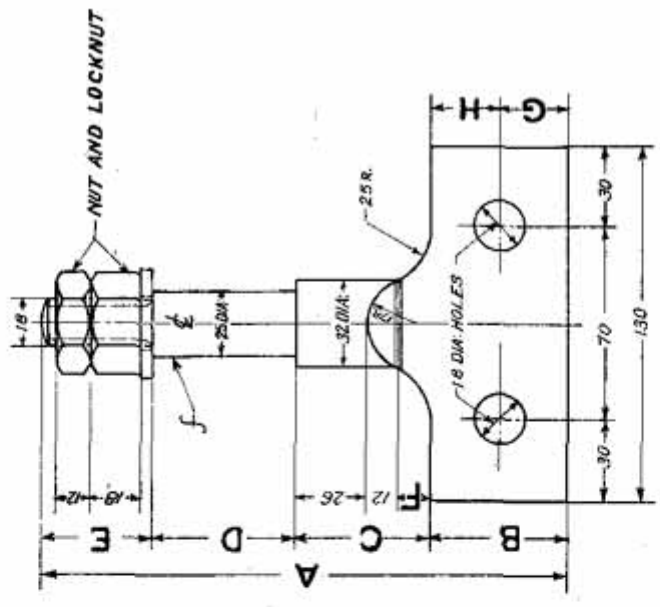
PLAN.

NOTE:-
MACHINED SURFACE SHOWN THUS f

PART NUMBERS & MAIN DIMENSIONS

RAIL SECTION	DRAWING NUMBER	GAUGE	CROSSING	DIMENSIONS (mm)										
				A	B	C	D	E	F	G	H	J	K	
UIC 60kg	T 10740	B.G.	1 IN 8 1/2	177	119	38	50	25	130	32.5	65	55	20	
52kg & 80kg	T 10580	B.G.	1 IN 8 1/2	143	85	38	50	25	130	32.5	65	55	20	
90 R.	T 10389	B.G.	1 IN 10	141	83	38	50	25	125	30	65	52.5	20	
52kg & 90 R.	T 10611	B.G.	1 IN 12	138	80	38	50	25	125	30	65	52.5	20	
60 R.	T 10582	M.G.	1 IN 8 1/2	140.5	82.5	38	40	20	115	30	55	47.5	18	
75 R.	T 10652	M.G.	1 IN 12	133	75	38	40	20	115	30	55	47.5	18	

**TYPICAL CENTRE BRACKET FOR LEADING STRETCHER BAR
FOR DOUBLE SLIPS B.G.**

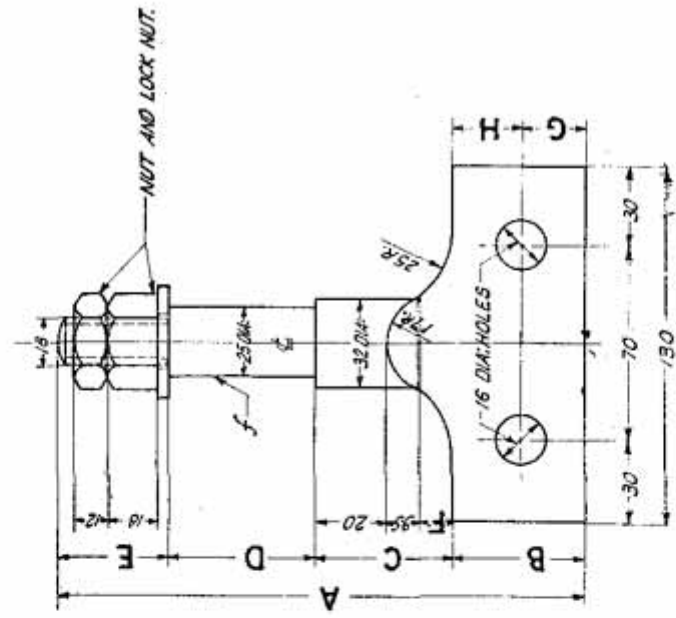


NOTE: MACHINED SURFACE SHOWN THUS *f*

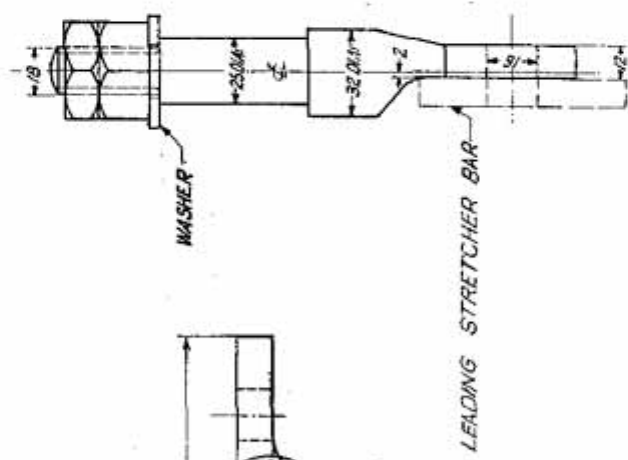
PART NUMBERS & MAIN DIMENSIONS

RAIL SECTION NUMBER	PART NUMBER	DIMENSIONS (mm)							
		A	B	C	D	E	F	G	H
UIC 60Kg	T 10731	211	55	64	52	40	17	25	30
52Kg	T 10620	202	55	55	52	40	17	25	30
90Kg	T 10390	192	50	50	52	40	12	25	25

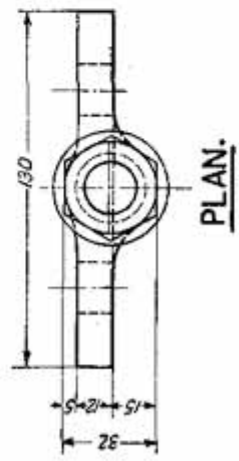
TYPICAL CENTRE BRACKET FOR LEADING STRETCHER BAR FOR
DOUBLE SLIPS M. G.



FRONT ELEVATION.



SIDE ELEVATION.



LEADING STRETCHER BAR

NOTE:--- MACHINED SURFACE SHOWN THUS f

PART NUMBERS & MAIN DIMENSIONS

RAIL SECTION	PART NUMBER	DIMENSIONS (mm)							
		A	B	C	D	E	F	G	H
60R&75R	T 10583	165	44	39	42	40	9.5	22	22

ANNEXURE A

List of metric track parts which can be directly substituted for
FPS track parts

<i>FPS Drawing No.</i>	<i>Metric Drawing No.</i>
BEARING PLATES	
BEARING PLATES	
T 1708	T 1993 (M)
T 1069	T 1994 (M)
T 2502	T 12539
T 2513	T 12582
T 1001	T 12545
T 1093	T 12581
T 066	T 10430
T 070	T 10431
T 071 (Alt. 2)	T 10432
C. I. BEARING PLATE (ANTICREEP)	
T 225	T 10141
T 226 (Alt. 1)	T 10142
T 227	T 10143
T 228	T 10144
T 229	T 10145
T 230	T 10146
T 231 (Alt. 1)	T 10147
T 232	T 10148
BLOCKS	
DISTANCE BLOCK	
T 4349	T 17443
T 4346	T 17442
CHECK RAIL BLOCK	
T 3601 & 3602	T 3728 (M) & T 3729 (M) (Alt. 1)
T 4301 & 4302	T 17401 & T 17402 (Alt. 1)
T 4314 & 4315	T 17415 & T 17416 (Alt. 1)
BOLTS	
BLACK BOLTS	
T 551	T 11623
T 695	T 11627
T 552	T 11624
T 648	T 11626
T 696	T 11636
T 901	T 11643

with 21 mm dia. of
hole in anticreep bear-
ing plates only.

*FPS Drawing No.**Metric Drawing No.***COTTERS M.S.**

T 401 (Alt. 3)	T 401 (M)
T 432	T 432 (M)
T 424 (Alt. 1)	T 424 (M)

SQUARE HEAD BOLTS & NUTS FOR CROSSINGS

T 741	T 11510
T 742	T 11512
T 743	T 11513
T 744	T 11514
T 745	T 11515
T 746	T 11517
T 747	T 11518
T 748	T 11519
T 749	T 11521
T 750	T 11522
T 751	T 11523
T 752	T 11524
T 753	T 11526
T 754	T 11527
T 755	T 11528
T 756	T 11530
T 757	T 11531
T 758	T 11532
T 759	T 11533
T 760	T 11535
T 761	T 11536
T 762	T 11537
T 763	T 11538
T 764	T 11540
T 765	T 11541
T 766	T 11542
T 767	T 11543
T 768	T 11545
T 769	T 11546
T 770	T 11547
T 771	T 11549
T 809	T 11551
T 810	T 11552
T 811	T 11553
T 812	T 11554
T 813	T 11556
T 814	T 11557

<i>FPS Drawing No.</i>	<i>Metric Drawing No.</i>
T 815	T 11558
T 816	T 11560
T 817	T 11561
T 818	T 11562
T 819	T 11563
T 820	T 11565
T 821	T 11566
T 822	T 11567
T 823	T 11568
T 824	T 11570
T 825	T 11571
T 826	T 11572
T 827	T 11573
T 828	T 11575
T 829	T 11576
T 830	T 11577
T 831	T 11579
T 832	T 11580
T 833	T 11581
T 834	T 11582
T 835	T 11584
T 836	T 11585
T 837	T 11586
DOG SPIKES	
T 276 (Alt. 1)	T 276 (M)
T 277 (Alt. 1)	T 277 (M)
T 278 (Alt. 1)	T 278 (M)
T 279 (Alt. 1)	T 279 (M)
FANG BOLTS & NUTS	
T 017 (Alt. 3)	T 017 (M)
FISHBOLTS & NUTS	
T 056 (Alt. 6)	T 11501
T 057 (Alt. 6)	T 11502
T 087 (Alt. 6)	T 11503
FISHBOLTS FOR COMBINATION FISHPLATES	
T 151	T 11638
T 181-T 182	T 11639-T 11640
T 149-T 150	T 11641-T 11642



<i>FPS Drawing No.</i>	<i>Metric Drawing No.</i>
FISHPLATES	
T 059	T 059 (M) (Alt. 1)
T 060	T 060 (M) (Alt. 1)
T 061	T 061 (M)
CSO/C-1898	CSO/C-1898 (M)
FISHPLATES COMBINATION	
T 173 to T 176	T 10491 to T 10494
T 177 to T 180	T 10495 to T 10498
T 183 to T 186	T 10499 to T 10502
SPRING STEEL LOOSE JAWS	
T 415	T 415 (M)
T 417	T 10003
T 419	T 419 (M)
T 420	T 10002
TWO WAY KEYS	
T 405	T 405 (M)
T 413	T 413 (M)
T 435	T 10012
T 436	T 10013
PACKING PIECES	
T 022	T 10326
T 028	T 028 (M) (Alt. 1)
T 021	T 10308
T 026	T 026 (M) (Alt. 1)
RAIL ANCHORS 'V' TYPE	
EDO 279	T 10316 (Alt. 1)
EDO 278	T 10315 (Alt. 1)
EDO 277	T 10314 (Alt. 1)
EDO 276	T 10313 (Alt. 1)
EDO 332	T 10312 (Alt. 1)
ROUND SPIKES	
T 018	T 018 (M)

*FPS Drawing No.**Metric Drawing No.*

SLEEPERS C.I.**Sleeper Plates CST-9**

T 478	T 478 (M) (Alt. 1)
T 443	T 10221 (Alt. 1)
T 499	T 10257
T 440	T 10232

STEEL SLEEPERS

T 460 (Alt. 1)	T 460 (M)
T 463	T 10272
T 461 & T 462	T 10273 & T 10271
T 464	T 10277
T 496	T 10278
T 497	T 10279
T 486	T 10280
T 487	T 10281
T 488	T 10282

TIE BARS M.S.

T 404 (Alt. 2)	T 404 (M)
T 433 (Alt. 1)	T 433 (M)

WASHERS

T 091	T 10371
T 110	T 10375
T 006	T 006 (M)
T 023	T 023 (M)
T 024 (Alt. 2)	T 10322
